

Commercial Frame / Cistern / Flush Plate (for WH Pan)



Product Code	40109/1
Flushing Volume (Ltr)	6/4 - Adjustable down to 4/2.6
Weight (Kg)	19.4
Cistern fittings included	Yes
Pre-installed/Bagged	Pre-installed
Material	Mixed Metal & Plastics
Flushing Mechanism	Dual Flush Push Plate
Inlet	RH Side Inlet
Access	Front

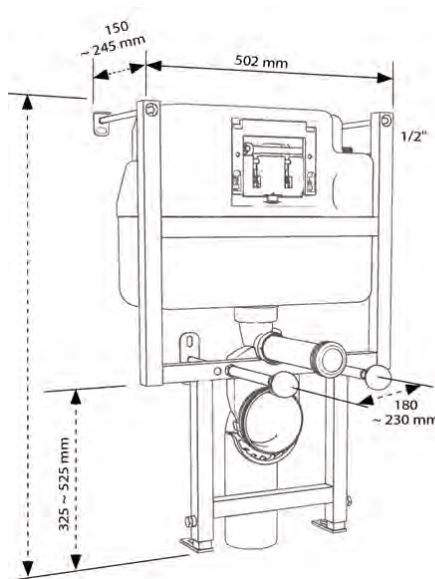
Push plate supplied

Key features:

- Strong and sturdy design
- Delayed fill inlet valve
- Can also be fitted under a window

Description:

This compact wall mounting frame including cistern will work with any wall hung WC. Packed with features despite having a smaller footprint, it is ideal for use in today's modern bathroom or restroom. Dual flush 6/4 litres factory preset, adjustable to 4/2.6 litres. Matt chrome effect push plate included.



- 1= 150 ~ 245mm
- 2= 16 ~ 100mm
- 4= 0~185mm
(if 3= 400=> 4= 185mm max*)
(if 3= 480=> 4= 105mm max*)

*When the distance between the fixing axle and the WC seat is 75mm



All dimensions are approximate and subject to normal ceramic variation. Although every effort is made not to change the above product specification, Washroom Warehouse reserve the right to do so without prior notification if necessary. *Against manufacturers defects. Full information on guarantees available upon request.