

Thermostatic Mixing Valve

**delivers safe,
blended hot
water to taps,
showers, bidets and
other water outlets**

Introduction

The range of 15 and 22mm thermostatic mixing valves are designed primarily for single outlet use. It delivers safe, blended hot water to taps, showers, bidets and other water outlets, making it ideal for use in hospitals, schools and leisure centres.

This mixing valve has been specifically designed and manufactured to meet the general requirements of:

- | National Health Service Model Engineering Specification - Thermostatic Mixing Valves - Heath Premises - D08 and BS 7942: 2011 Thermostatic Mixing Valve for use in care establishments (TMV3)
- | BS EN 1111 : 2017 Sanitary tapware. Thermostatic Mixing Valves (Pn10) General technical specification & BS EN 1287: 2017 Sanitary tapware. Low Pressure Thermostatic Mixing Valves General technical specification (TMV2)

The TMV has been independently tested and approved by the TMV3 scheme as a type 3 valve under the requirements of the NHS MES - D08 and approved by Buildcert as meeting the requirements of the TMV2 scheme

The element that controls the temperature of the mixed water discharging from the valve works proportionally on both hot and cold water supplies in order to maintain the temperature of the mixed water discharged.

- | One valve to suit all applications
- | One Piece Cartridge Construction for ease of maintenance and replacement
- | High flow rates with Low Pressure drops
- | 15mm & 22mm versions available
- | TMV3 approved – Complies with NHS Estate D08 & BS7942: 2011
- | TMV2 approved – Complies with BSEN1111 & BSEN1287: 2017
- | Building Regulations Part G compliant
- | Robust and Reliable
- | Easy installation
- | Integral Check Valves and Strainers
- | Available with isolation ball valves and test ports
- | WRAS Approved
- | Integral Check Valves and Strainers
- | Highly resistant to scaling
- | Anti tamper proof head



Product Range

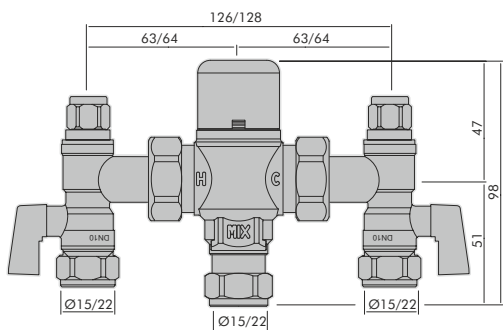
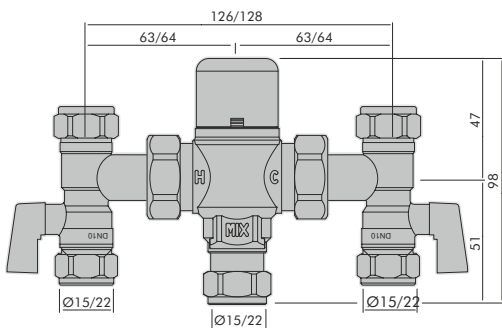
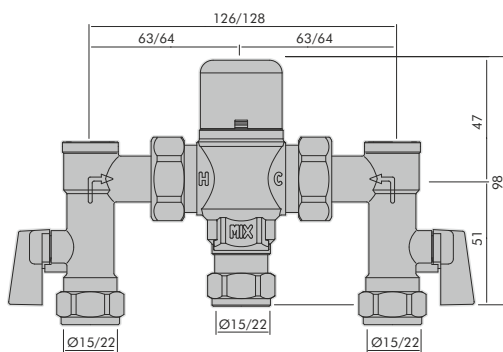
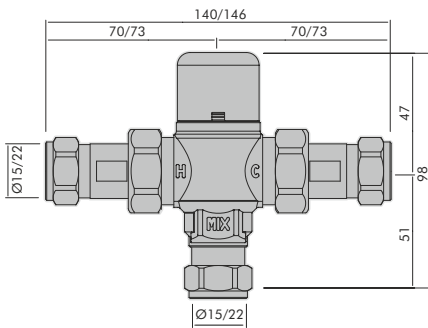
Description	Code
TMV 15mm	40015CP
TMV 22mm	40022CP
TMV 15mm complete with MX service valve	400MX15CP
TMV 22mm complete with MX service valve	400MX22CP
TMV 15mm c/w 2 intasphere MX valves with compression top connector	400MS15CP
TMV 22mm c/w 2 intasphere MX valves with compression top connector	400MS22CP
TMV 15mm c/w 2 intasphere MX valves with test point	400MZ15CP
TMV 22mm c/w 2 intasphere MX valves with test point	400MZ22CP



Thermostatic Mixing Valve

Technical Data

Temperature Adjustment Range	30°C to 50°C
Temperature Stability	±2°C
Maximum Inlet Temperature	85°C
Maximum Working Pressure	10 Bar : Static
Minimum Working Pressure	0.2 Bar : Dynamic
Inlet Temperature Range	55°C - 65°C : Hot
	05°C - 20°C : Cold
D08 Working Pressure Ranges	0.2 - 1.0 : Low Pressure
	1.0 - 5.0 : High Pressure
Minimum Temp. Differential (Mix to Hot) to Achieve Fail Safe	10°C
Maximum Pressure Inlet Differential	5:1



Code	Pressure range	Designation
HP-B	High Pressure	Bidet
HP-S	High Pressure	Shower
HP-W	High Pressure	Wash Hand Basin
LP-B	Low Pressure	Bidet
LP-S	Low Pressure	Shower
LP-W	Low Pressure	Wash Hand Basin
HP-T44	High Pressure	Bath (Assisted Bathing)*
HP-T46	High Pressure	Bath (Assisted Bathing)*

