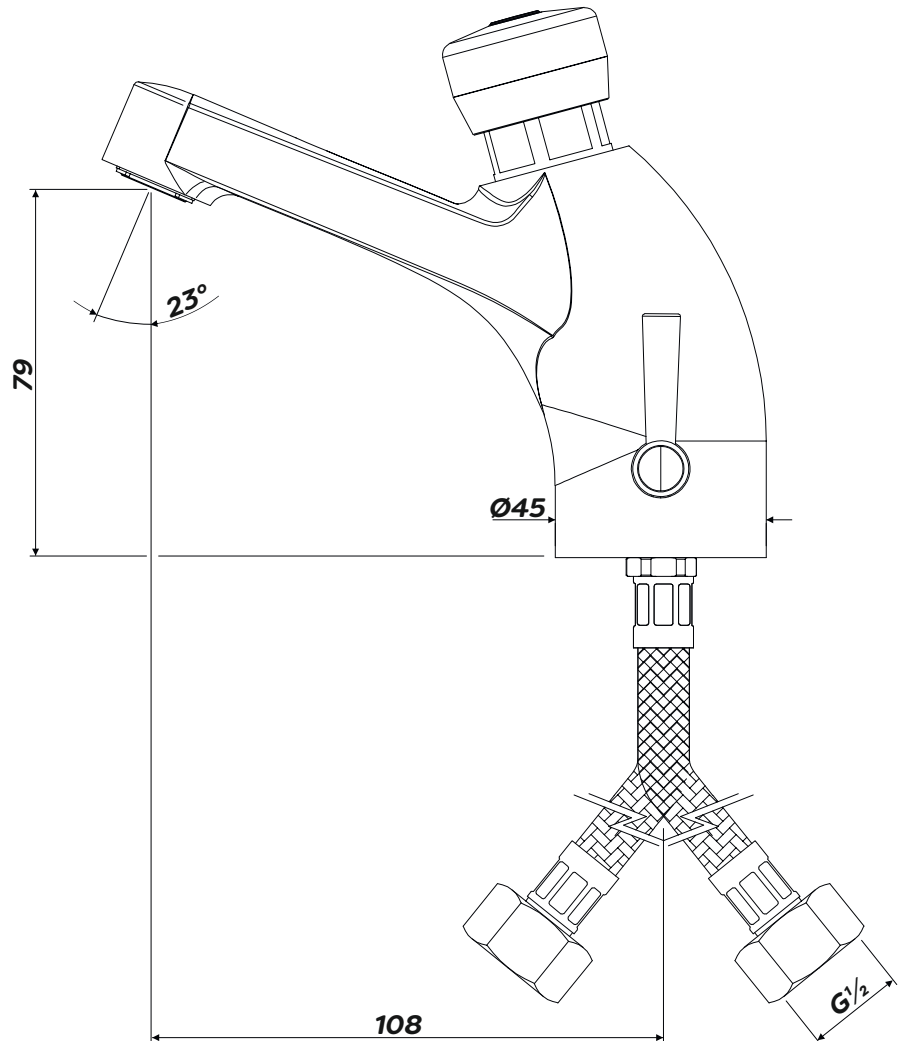


Product

NC180CP - Non Concussive Basin Mounted Tap with Adjustable Temperature Control

Technical Specification

Max Inlet Pressure (static):	10 Bar
Min Inlet Pressure (dynamic):	0.2 Bar
Max Inlet Temperature:	65°C
Timed Flow:	15 +/- 3 Seconds
Max Basin Thickness:	38mm
Inlet Connections:	G 1/2" Flexible Tails



Additional Information

Non concussive operation & durable design makes the tap ideal for high use environments such as gyms

The tap shuts off automatically after approximately 15 seconds, reducing water usage

Designed for use with the Intamix range of thermostatic mixing valves

Temperature adjustable control

Suitable for use with unvented supplies, combi boilers, gravity and mains pressure systems