

# Commercial Low Level WC Pan (Floor Outlet)



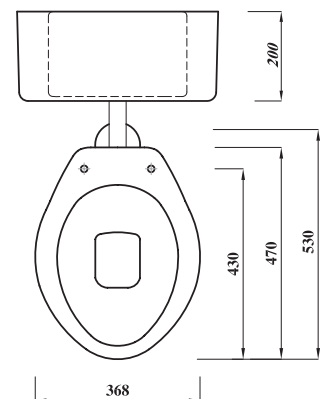
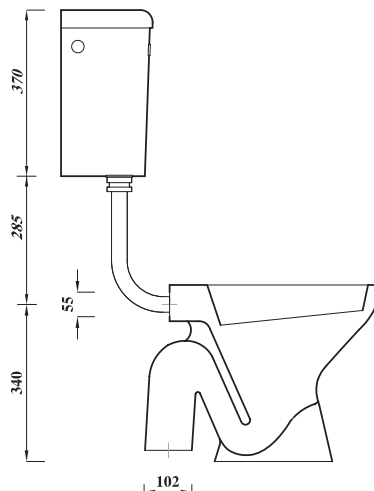
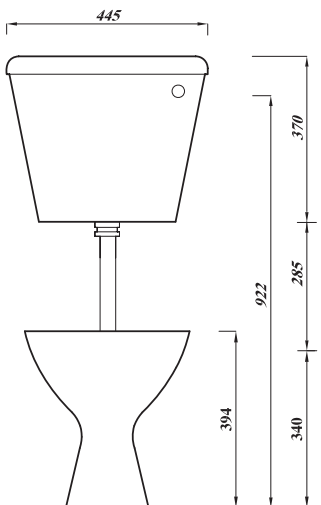
<b>Product Code</b>	<b>40071</b>
<b>Outlet</b>	S-trap
<b>Weight (Kg)</b>	11.9
<b>Fixing kit included</b>	No
<b>Material</b>	Vitreous China
<b>Flushing Volume (Ltr)</b>	6/4

### Key features:

- CE Compliant
- S-Trap design
- Four floor fixing holes
- Lifetime ceramic guarantee\*

### Description:

This classically designed S-trap pan is perfect for commercial installations and replacements. This low level WC can be paired with either a push button or lever operated cistern for added flexibility.



All dimensions are approximate and subject to normal ceramic variation. Although every effort is made not to change the above product specification, Washroom Warehouse reserve the right to do so without prior notification if necessary. \*Against manufacturers defects. Full information on guarantees available upon request.