

# Commercial Boxed Exposed Urinal Cistern with Autosyphon 9L (2 to 3 Bowls)



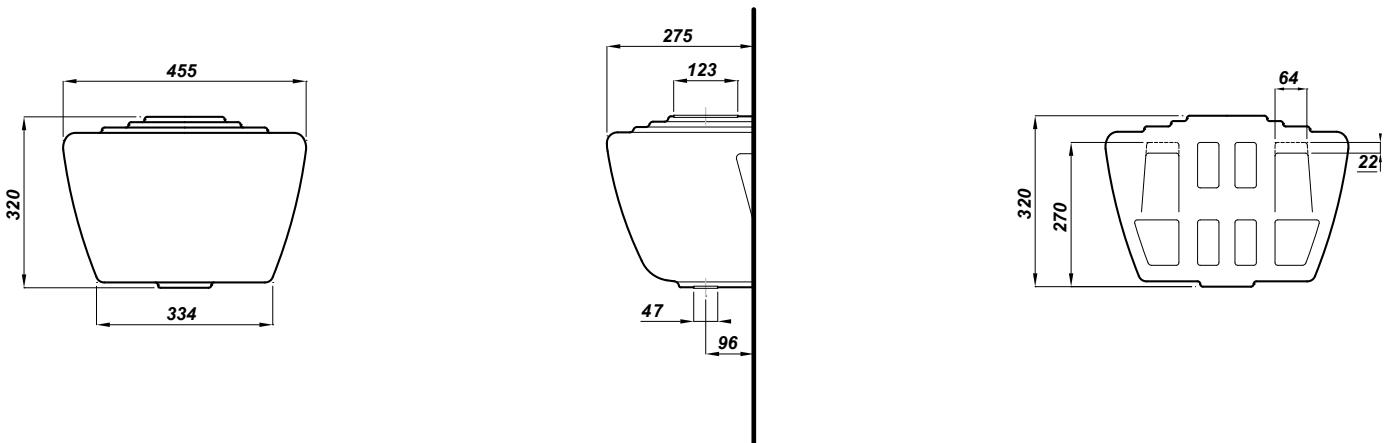
<b>Product Code</b>	<b>40074</b>
<b>Weight (Kg)</b>	11.9
<b>Material</b>	Vitreous China
<b>Colour</b>	White
<b>Flushing volume (ltr)</b>	9
<b>Standard</b>	BS5520, BS3402, EN13407-CL2-III- 4.5B, WRASapproved
<b>Flushing mechanism</b>	Autosyphon

## Key features:

- UKCA Compliant
- Classical design
- 38mm outlet
- Includes petcock
- No electrical required

## Description:

This large urinal header tank comes supplied with a 9 litre autosyphon. This removes the need for manual flushing and is perfect for high traffic areas where multiple urinals are running off one feed.



All dimensions are approximate and subject to normal variation. Although every effort is made not to change the above product specification, Washroom Warehouse reserve the right to do so without prior notification if necessary. \*Against manufacturers defects. Full information on guarantees available upon request.