

# Commercial Boxed Exposed Urinal Cistern with Autosyphon 13L (4 Bowls)



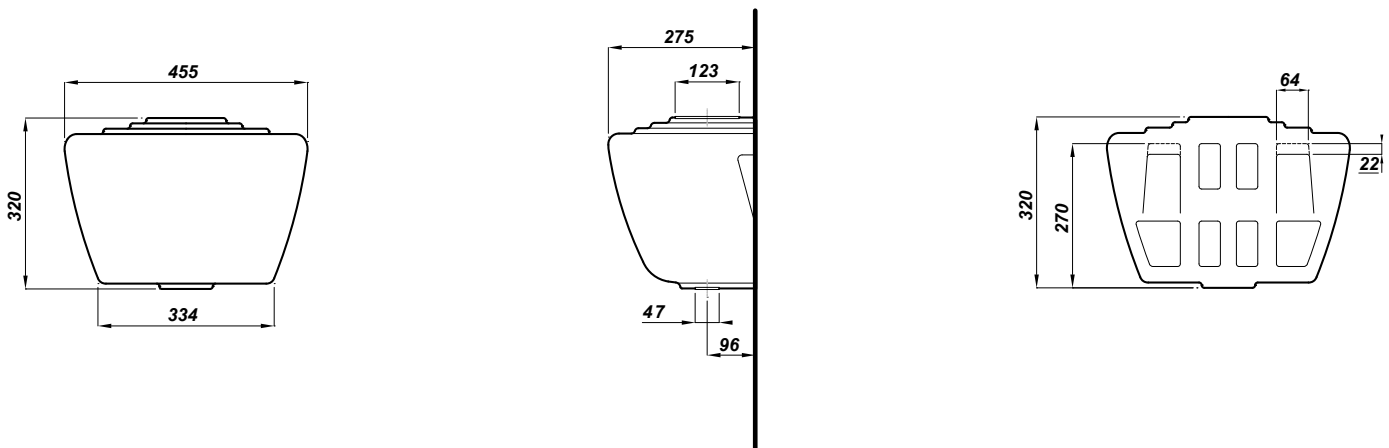
<b>Product Code</b>	<b>40075</b>
<b>Weight (Kg)</b>	14.2
<b>Material</b>	Vitreous china
<b>Flushing volume (ltr)</b>	13 litres
<b>Standard</b>	BS5520, BS3402, EN13407-CL2-III- 4.5B, WRAS approved
<b>Flushing mechanism</b>	Autosyphon

## Key features:

- Includes an autosyphon
- Suited for commercial installations
- UKCA Compliant
- Classical design

## Description:

This Atlas 13 litre urinal auto cistern from Washroom Warehouse comes complete with auto syphon and is for use with the Washroom Warehouse range of stainless steel sparge pipes and ceramic urinal bowls.



All dimensions are approximate and subject to normal variation. Although every effort is made not to change the above product specification, Washroom Warehouse reserve the right to do so without prior notification if necessary. \*Against manufacturers defects. Full information on guarantees available upon request.