

# Commercial 18" CLEANER SINK LOW BACK WITH LEGS, BEARERS & WASTE



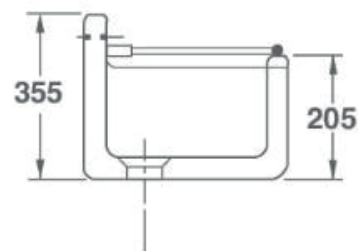
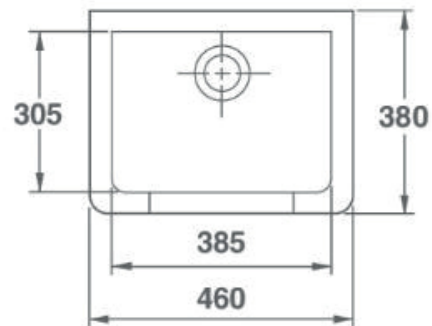
<b>Product Code</b>	<b>40050</b>
<b>Weight (Kg)</b>	47.4kg
<b>Material</b>	Fireclay
<b>Tap holes</b>	0
<b>Fixings</b>	Includes chrome effect support legs kit, bearers & waste kit

## Key features:

- CE Compliant
- Stain and germ resistant & Acid and Alkali resistant
- Built in bucket grate included
- Made from heavy duty fireclay
- Lifetime ceramic guarantee\*

## Description:

Practical low back fireclay cleaner's sink, designed to withstand heavy use.



All dimensions are approximate and subject to normal ceramic variation. Although every effort is made not to change the above product specification, Washroom Warehouse reserve the right to do so without prior notification if necessary. \*Against manufacturers defects. Full information on guarantees available upon request.