

## Doc M rail only pack with exposed fixing steel grab rails



### Product details

<b>Warranty:</b>	See individual products
<b>Max rated load:</b>	See individual products
<b>Doc M compliant:</b>	Yes
<b>Suitable for wet areas:</b>	No

### Features

- Complies with Part M of the Building Regulations
- Simple one box solution

### Finish options

**WH**

White  
RAL 9016

**DB**

Dark blue  
RAL 5011

**DG**

Dark grey  
RAL 7016

**GY**

Grey  
RAL 7005

### Product description

Rail only Doc M toilet pack, steel, exposed fixings

### Product code

BCCDMT-0/\*\*

Replace \*\* with finish option code above e.g., BCCDMT-0/DB

### Pack contents

- 5 x 600mm coated steel grab rails with exposed fixings
- 1 x 800mm coated steel hinged support rail with toilet roll holder

### Disclaimer

NYMAS Group makes every effort to ensure that the information provided on this data sheet is correct. However, we cannot guarantee this, and accept no liability for any information or advice given on this data sheet.

**Dimensions (mm)**

See individual products

## Round flange steel grab rail with exposed fixings, 35mm diameter tube



### Product details

Warranty:	2 years
Max rated load:	200 kg
Doc M compliant:	Yes
Suitable for wet areas:	No

### Features

- Complies with Part M of the Building Regulations
- Robust steel construction
- Durable epoxy polyester coated finish

### Finish options

**WH**

White  
RAL 9016

**DB**

Dark blue  
RAL 5011

**DG**

Dark grey  
RAL 7016

**GY**

Grey  
RAL 7005

### Product description

Round flange grab rail, steel, exposed fixings, 35mm diameter, 305mm  
 Round flange grab rail, steel, exposed fixings, 35mm diameter, 455mm  
 Round flange grab rail, steel, exposed fixings, 35mm diameter, 610mm  
 Round flange grab rail, steel, exposed fixings, 35mm diameter, 900mm

### Product code

GR-12/35/\*\*  
 GR-18/35/\*\*  
 GR-24/35/\*\*  
 GR-36/35/\*\*

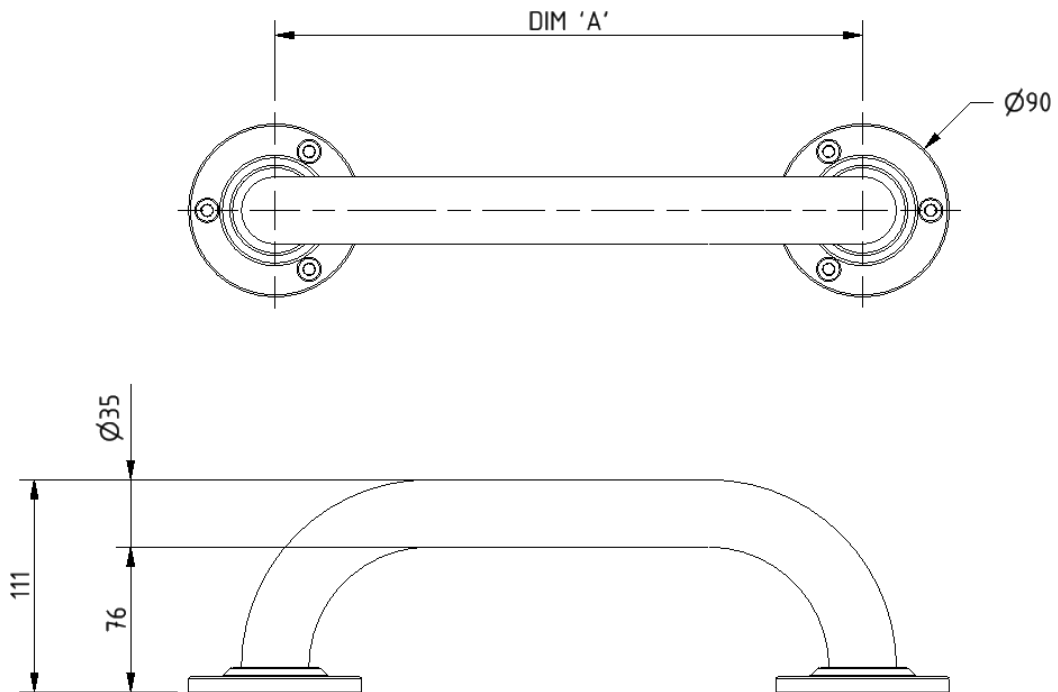
Replace \*\* with finish option code above e.g., GR-18/35/DB

**Note:** GR-12/35 is only available in WH finish

### Disclaimer

NYMAS Group makes every effort to ensure that the information provided on this data sheet is correct. However, we cannot guarantee this, and accept no liability for any information or advice given on this data sheet.

## Dimensions (mm)



PRODUCT CODE	GR-12/35/**	GR-18/35/**	GR-24/35/**	GR-36/35/**
DIM 'A'	305	455	610	900

## Lift and lock steel hinged support rail with toilet roll holder



### Product details

<b>Warranty:</b>	2 years
<b>Max rated load:</b>	115 kg
<b>Doc M compliant:</b>	Yes (800mm variant only)
<b>Suitable for wet areas:</b>	No

### Features

- Lift and lock folding mechanism
- Integral toilet roll holder
- Robust steel construction
- Durable epoxy polyester coating
- Complies with Part M of the Building Regulations (800mm variant only)

### Finish options

**WH**

White  
RAL 9016

**DB**

Dark blue  
RAL 5011

**DG**

Dark grey  
RAL 7016

**GY**

Grey  
RAL 7005

### Product description

Trombone lift and lock hinged support rail, steel, toilet roll holder, 550mm  
Trombone lift and lock hinged support rail, steel, toilet roll holder, 800mm

### Product code

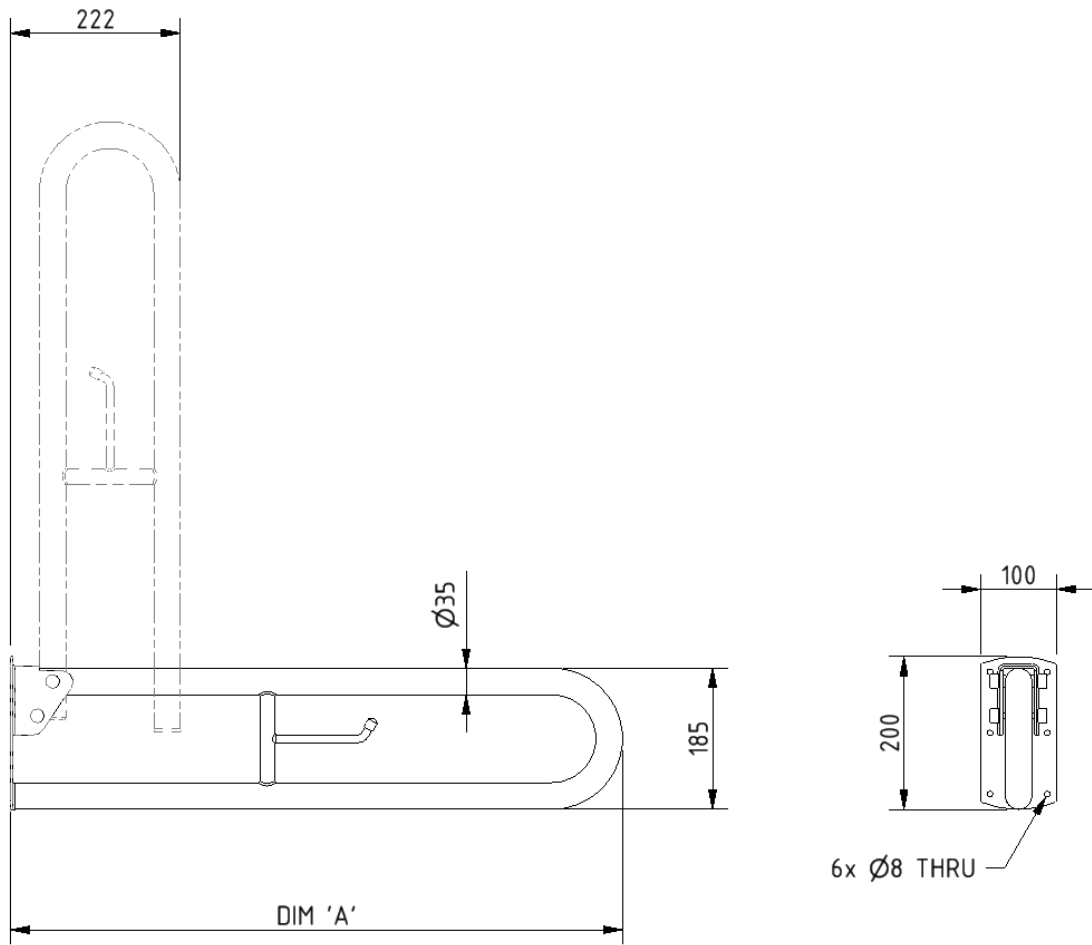
112055/\*\*  
DDGR-B/\*\*

Replace \*\* with finish option code above e.g., DDGR-B/DB

### Disclaimer

NYMAS Group makes every effort to ensure that the information provided on this data sheet is correct. However, we cannot guarantee this, and accept no liability for any information or advice given on this data sheet.

## Dimensions (mm)



PRODUCT CODE	112055/**	DDGR-B/**
DIM 'A'	550	800