

Commercial Wall-Hung Basin 450x390mm - Single Tap Hole



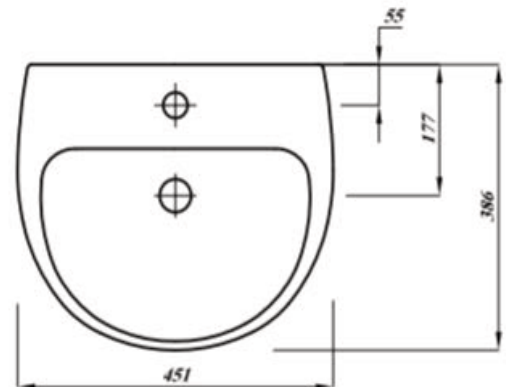
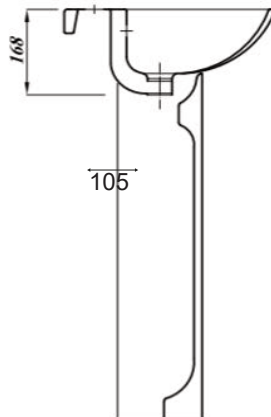
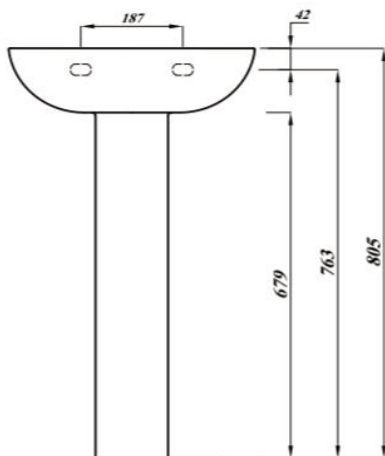
Product Code	40016
Weight (Kg)	9
Material	Vitreous China
Tap holes	1

Key features:

- UKCA Compliant
- C-shape Design
- Internal overflow
- Lifetime ceramic guarantee*

Description:

This basin features the latest smooth thin design with one tap hole. A modern revision of a classic basin. Can be paired with Semi Pedestal or Full Height Pedestal.



All dimensions are approximate and subject to normal ceramic variation. Although every effort is made not to change the above product specification, Washroom Warehouse reserve the right to do so without prior notification if necessary. *Against manufacturers defects. Full information on guarantees available upon request.