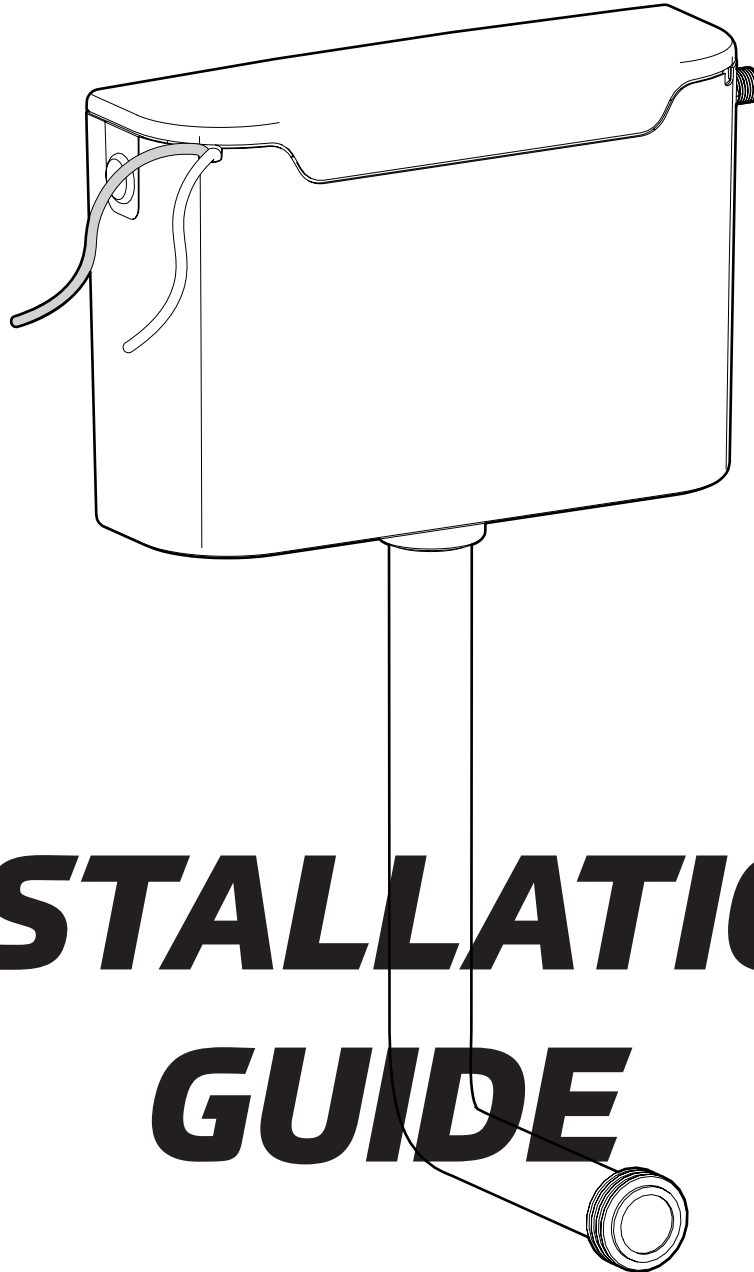


**Dudley**



**MINIFLO**

CONCEALED PNEUMATIC CISTERN



# ***INSTALLATION GUIDE***



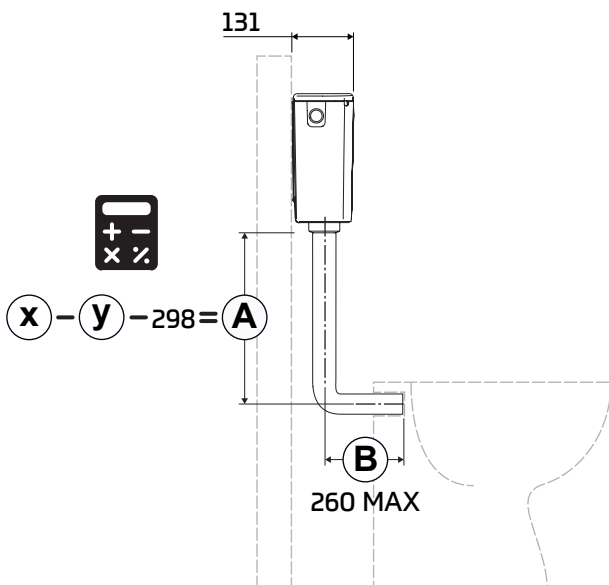
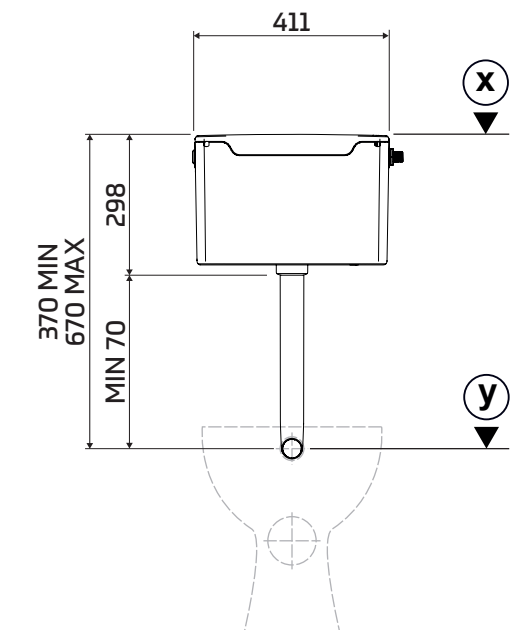
### IMPORTANT NOTES

In addition to reference dimensions, allowance must be made for isolation valve, piping and button.

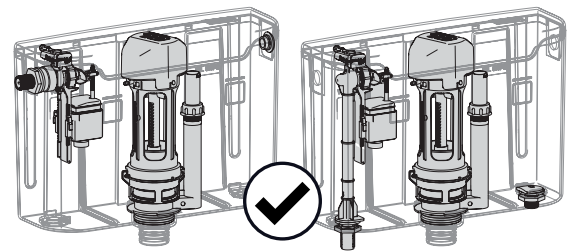
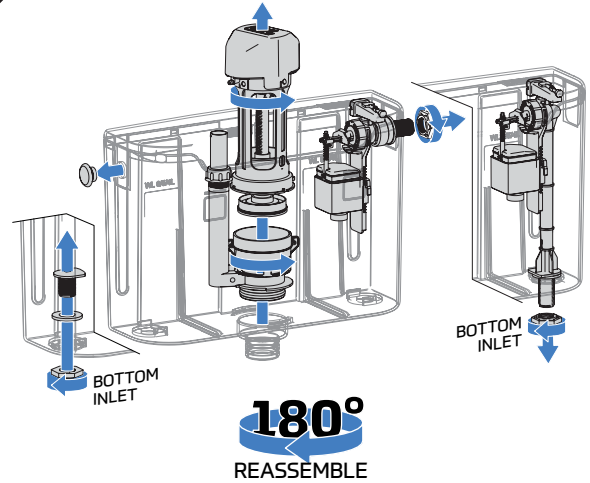
No sealing compound, paste, flux or solvent to be used in contact with plastic or rubber surfaces to avoid damage. Rubber washers will provide adequate seal. PTFE tape may be used on threads. Do not over tighten plastic nuts. No chemical block/additive to be used in this cistern.

Installation to a masonry substrate shown for visual purposes. This procedure is transferable across other installation applications i.e. furniture. Ensure that suitable fixings are used for the required application.

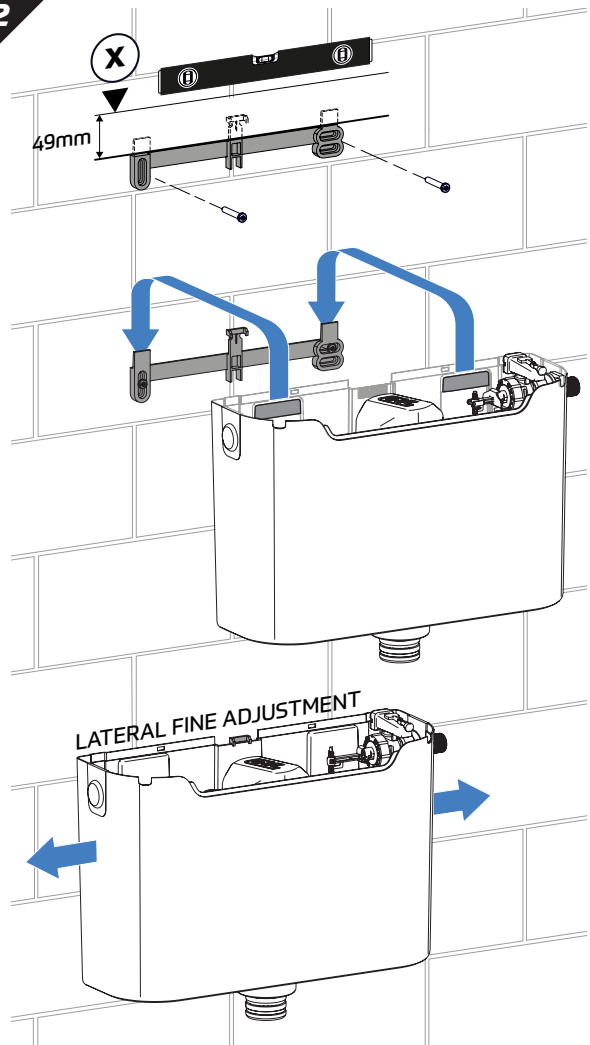
### REFERENCE DIMENSIONS



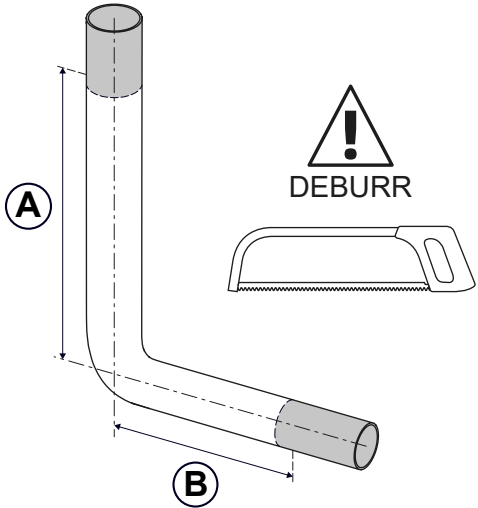
### 1 CONVERT TO LEFT HAND INLET (IF REQUIRED)



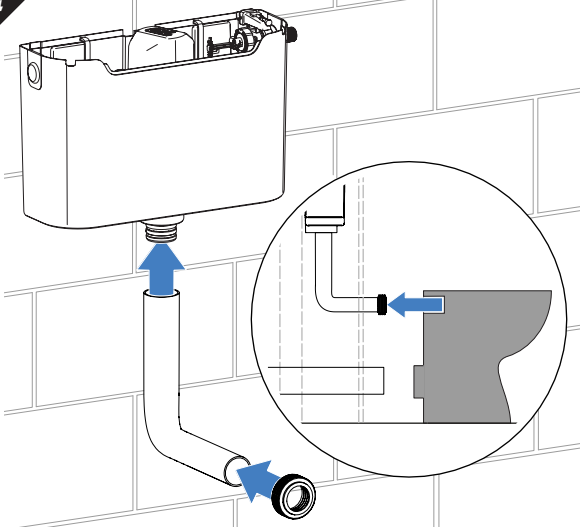
### 2



3

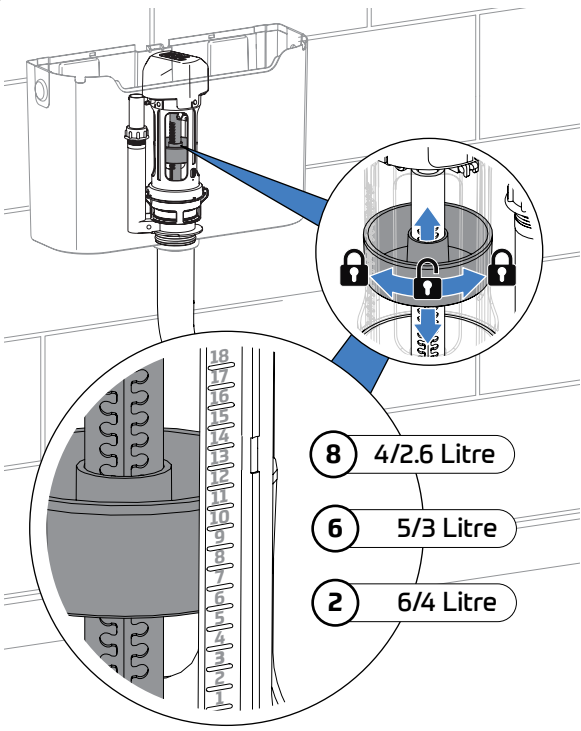


4



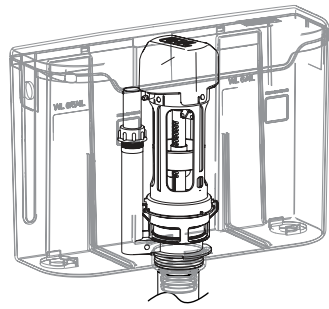
5

FLUSH VOLUME CONVERSION (IF REQUIRED)



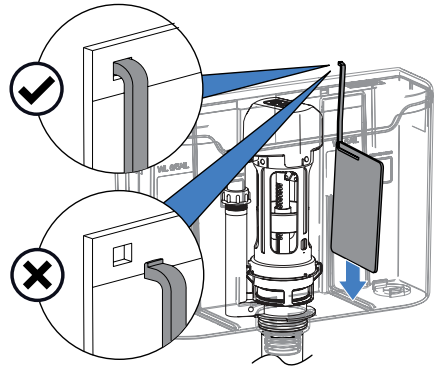
5

CONTINUED...



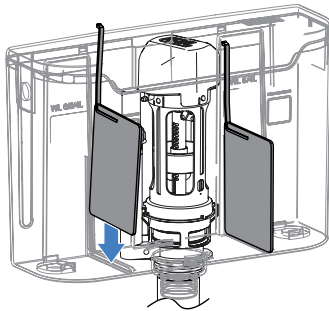
6L  
MONO

6/4L  
DUAL



5L  
MONO

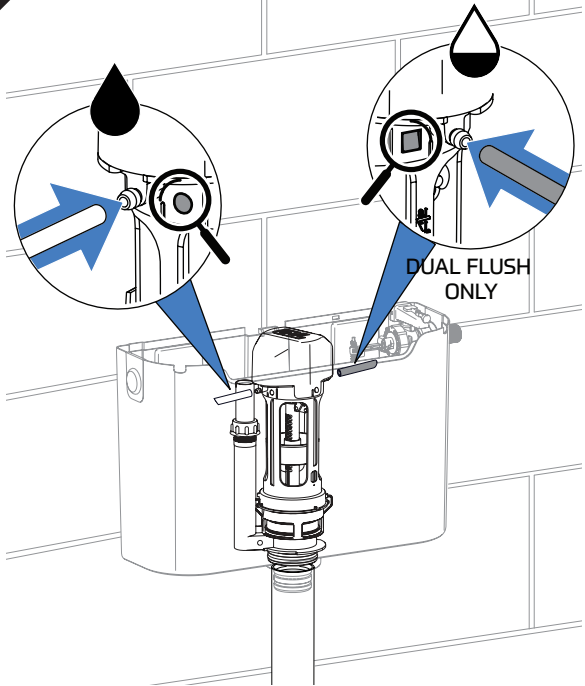
5/3L  
DUAL



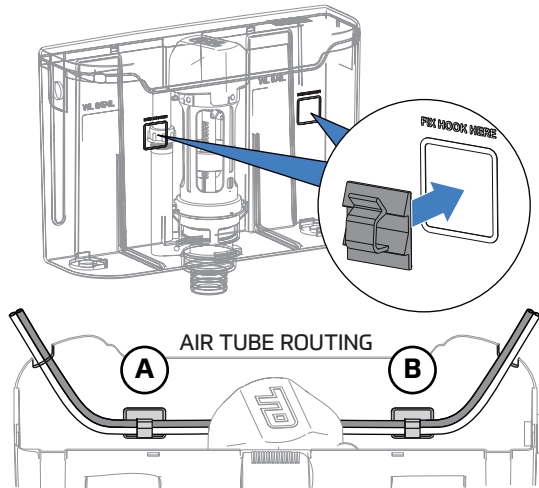
4L  
MONO

4/2.6L  
DUAL

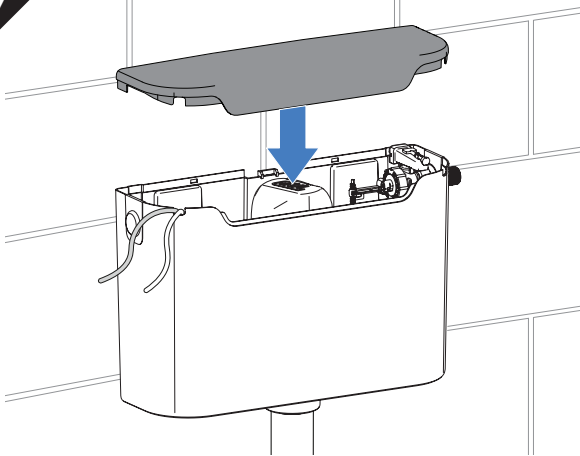
6



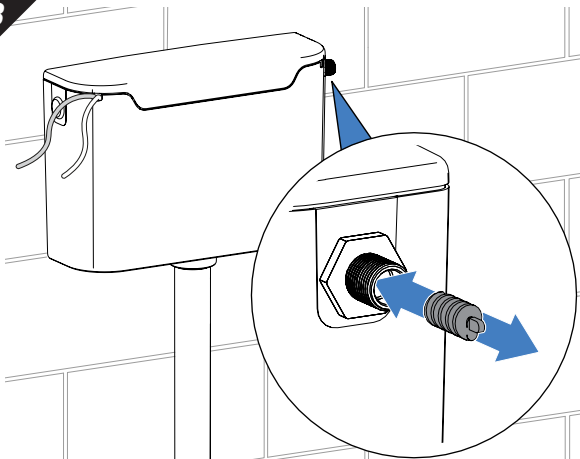
## 6 CONTINUED...



## 7



## 8



PRESSURE <1 bar

REMOVE RESTRICTOR

PRESSURE 1-3.5 bar

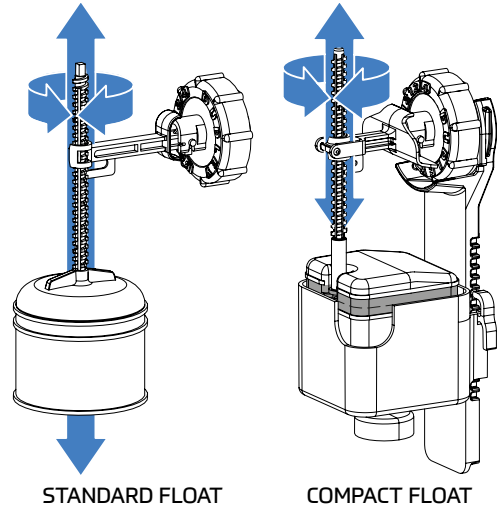
FIT RED RESTRICTOR

PRESSURE >3.5 bar

FIT WHITE RESTRICTOR

## 9

### WATER LEVEL FINE ADJUST (IF REQUIRED)



## 10

### Final Installation Checklist

- ~ Check moving components are not obstructed and move freely.
- ~ Connect water supply.
- ~ Check connections are secure and fixed correctly.
- ~ Check installation for leaks.
- ~ Check water level aligns to that marked within cistern, fine adjust if necessary.
- ~ Hold the valve open (float down) to check overflow operation is sufficient.
- ~ If the valve fails to shut off, the diaphragm & filter may require cleaning. Please refer to the Hydroflo service & maintenance guide online.
- ~ Flush the cistern to check outlet valve operation.
- ~ Visit [www.tyde.co.uk](http://www.tyde.co.uk) for service & maintenance information.

### TYDE

295 Birmingham New Road  
Dudley, West Midlands  
United Kingdom  
DY1 4SJ

A Thomas Dudley Business

t +44 (0)121 557 5411

f +44 (0)121 557 5345

e [info@tyde.co.uk](mailto:info@tyde.co.uk)

w [www.thomasdudley.co.uk/tyde](http://www.thomasdudley.co.uk/tyde)

© 2022 TYDE\_SISLF322499\_11318 Iss G

**TYDE**  
fluid  
movement