

Shower Seat Range



Wall Mounted Shower Seat with Legs	130202
Wall Mounted Shower Seat with Back, Arms and Legs	130203
Wall Mounted Padded Shower Seat with Legs	130204
Wall Mounted Padded Shower Seat with Back, Arms and Legs	130205

Available colours: **130202, 130203** - WHITE (WH)
130204, 130205 - GREY (GY)

Congratulations on the purchase of your wall mounted folding shower seat. This shower seat has been designed for users to sit on in the washroom area. It assists with the comfort and independence of the user while washing.

Warnings:

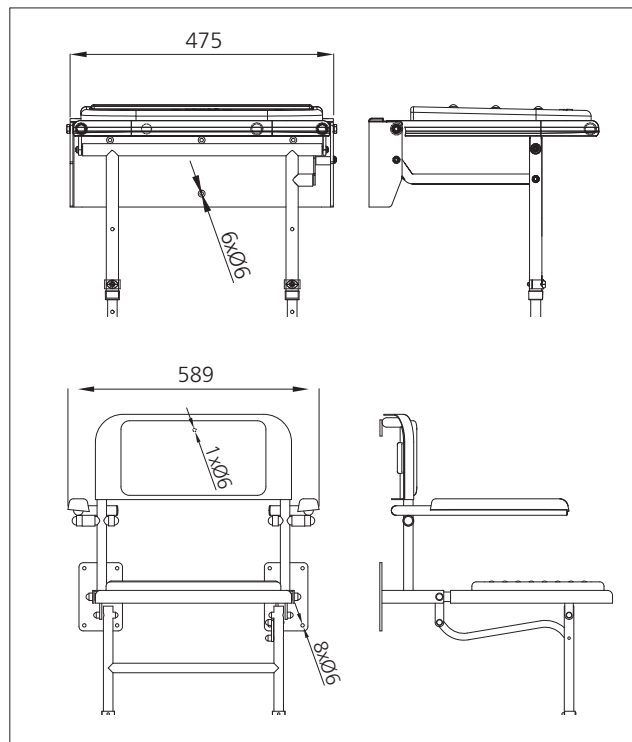
- This seat has been tested with a static load of 190kg on the seat.
- Do not use the shower seat for any purpose other than that for which it was designed.
- Ensure no part of the body is under the seat before folding it down.
- The wall on which the shower seat is installed must be flat and capable of taking the load.
- Improper installation/use can cause accidents and injuries.
- Installation must be carried out by a qualified tradesman using suitable fixings for the wall substrate.
- After installation a functional test must be carried out prior to use.
- On receiving delivery of this product, a thorough check must be carried out and any defects immediately reported. The product must be stored in a dry place and not stacked under other equipment.
- These instructions should be retained by the user of the product for its whole life.
- The arm rests are designed for user comfort and should not be used to take the users weight.
- Non corrosive fixings should be used to fit this product.
- To maintain the integrity and functionality of this product, regular cleaning and inspection is necessary.

Installation and Operating Instructions

Installation:

Installation should be carried out by a suitably qualified tradesman using correct fixing for the wall substrate. No fixings are supplied with this product to allow the correct fixing method to be selected for the specific installation.

1. Once the correct wall fixing has been selected, the required number should be employed in the locations shown opposite.
2. Slide the complete plastic backrest off the frame.
3. Offer shower seat up to wall at the correct height and carefully mark the hole locations.
4. Drill the holes in the wall of a diameter and depth recommended by supplier of wall fixings.
5. Adjust the leg support so that the seat is horizontal when resting on the legs.
6. Slide the complete plastic backrest back down onto the frame.



Note: fixings not included

Using this product:

ALWAYS check the shower seat is fitted securely to the wall prior to use. The seat is folded down from the wall by gently pulling on one of the leg supports before carefully lowering the seat to its horizontal position. Care should be taken to ensure the area under the seat is clear prior to operation. To fold the seat up against the wall, carefully lift the seat up towards the wall until it reaches the vertical position.

Cleaning and maintenance:

The shower seat must be checked monthly by qualified personnel to ensure that it is in perfect working order. This seat can be cleaned using only a very mild detergent. Do not use acidic, alkaline, chlorine based or abrasive cleaning materials. If the seat has a pad it is recommended that this is removed periodically for thorough cleaning. This is done by unclipping the plastic seat and back from the frame before unclipping the pads.

Disclaimer:

We accept no liability whatsoever for personal injury or damage to property that is or has been caused due to incorrect assembly, installation, or use of this product.