



#### Applications

Ideal for use behind tiles and partitioning and in most other concealed applications.

#### Water Saving

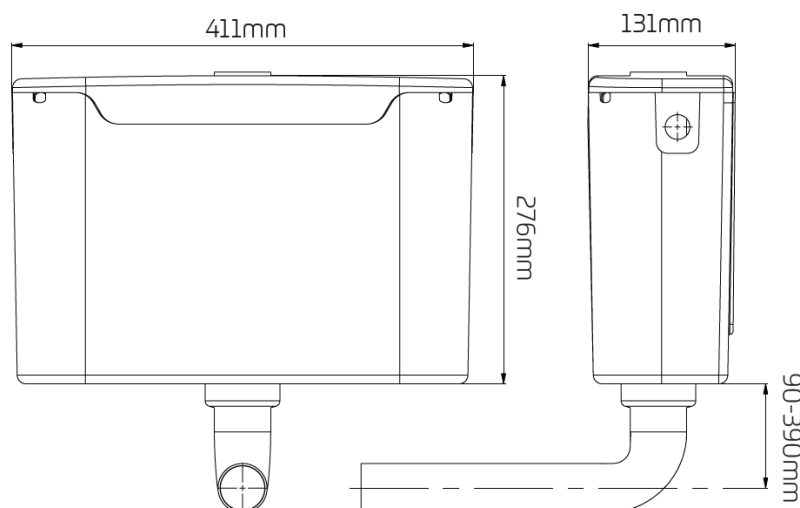
- ~ 6/4 litre dualflush
- ~ Quickly and easily converts before or after installation to 5/3 or 4/2.6 litre dualflush
- ~ 6/5/4 litre single flush also available
- ~ 6/3 litre dualflush option also available on request
- ~ Approved by the European Water Label Scheme
- ~ Supports BREEAM

#### Features

- ~ Supplied factory assembled for quick and easy installation
- ~ WRAS approved Dudley Niagara flushing valve
- ~ WRAS approved Dudley Hydroflo inlet valve
- ~ WRAS approved cistern
- ~ Push-fit flush bend, 390 x 290 [can be trimmed to fit]
- ~ Air tubes enable button, plate or sensor to be installed up to 250mm away from cistern
- ~ Compact dimensions fit neatly into 150mm ducts
- ~ Top access
- ~ One-piece cistern fixing brackets
- ~ Internal overflow warning
- ~ The cistern complies with the Regulator's Specification.



#### Dimensional Data



#### Technical Data

Material (Cistern)	High Density Polystyrene (PS)
Inlet	Dudley Hydroflo: Side or Bottom
Outlet	Dudley Niagara: Pneumatic
Flush Volume	Dual Flush 6/4, 5/3, 4/2.6 Litre or Single Flush 6, 5, 4 Litre



#### Applications

Touch free infrared WC flushing for use with Dudley Niagara Pneumatic Flush Valve, typically used in Dudley Vantage, Miniflo and OSMOT1 concealed cisterns.

Ideal for use in bathroom furniture and behind tiles, partitioning or IPS panelling within domestic or commercial environments.

#### Water Saving

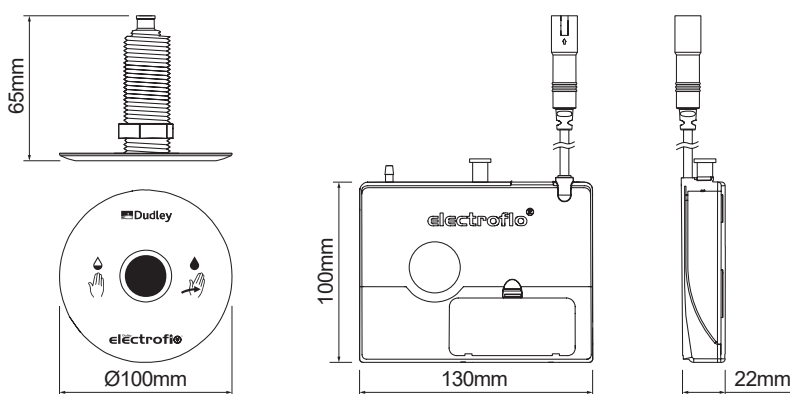
Dual flush functionality can deliver 6/4, 5/3 or 4/2.6 litre flush volumes.

#### Features

- ~ Ø100mm IR sensor includes instructional graphics
- ~ Sensor detects a plurality of hand gestures; wave for full flush, hold hand in front of sensor for reduced flush
- ~ LED flush indication
- ~ Post flush sensor delay allows the cistern to refill before another flush can be delivered
- ~ Control box can be integrally mounted with the sensor at the rear of the panel or independently mounted onto a suitable flat surface
- ~ Mains or battery options available.



#### Dimensional Data



#### Technical Data

Operating Voltage	6V DC
Mains Supply	230V AC 50Hz
Battery Supply	4 x 1.5VAA
Sensor Cable Length	400mm
Sensor Activation Range	Up to 50mm
Ingress Protection	IP44
Max. Wall Thickness	Up to 45mm (170mm with separate extension kit)