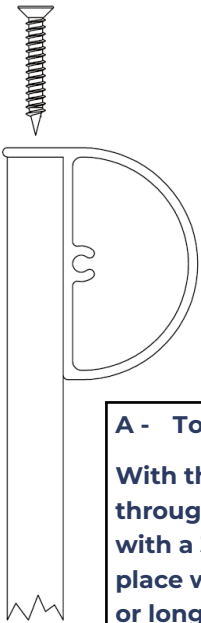


Pacific D Headrail 13/19mm - 3m - SAA

Product Code: 10506-13/19MM-SAA

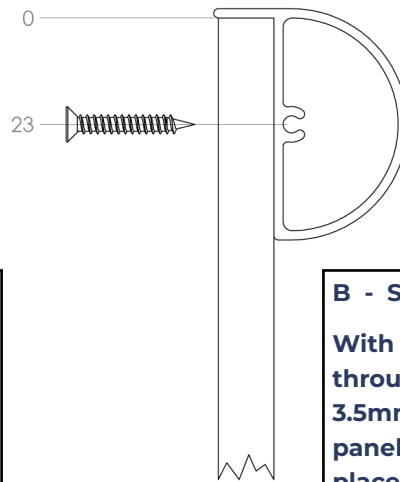


1. Once the fascia's and partitions are erected the headrail can be fitted.
2. Measure the cubicle runs and ensure that any headrail joins are in the middle of fascia's and not on door openings.
3. The headrail should be fitted to the top and outside face of the fascia's.
4. Fix the headrail to the Plumb end fascia using either method A or B shown below.
5. Once fitted work along the cubicle run ensuring each fascia and doorway is parallel then fix in place with the headrail.



A - Top fixed

With the headrail in position drill through into the top of the panel with a 3.5mm drill and secure in place with a woodscrew 25mm or longer.



B - Side fixed

With the headrail in position drill through the side of the panel with a 3.5mm drill then counter bore the panel with a 4.5mm drill and secure in place with a 38mm self tapping screw.

