

## Fife: Trough Urinal

Architects  
Data File

### Product Detail



**Product:** Fife  
**Code:** SAN6155

**Issue:** 1  
**Date:** 05-06-15

#### Product description:

Fife trough urinal pack is supplied complete with plastic cistern stainless steel sparge flushing pipe, the sparge locating below an integral valance and 2" domed plastic urinal waste. Multiple units and "L" shape configurations can be accommodated.

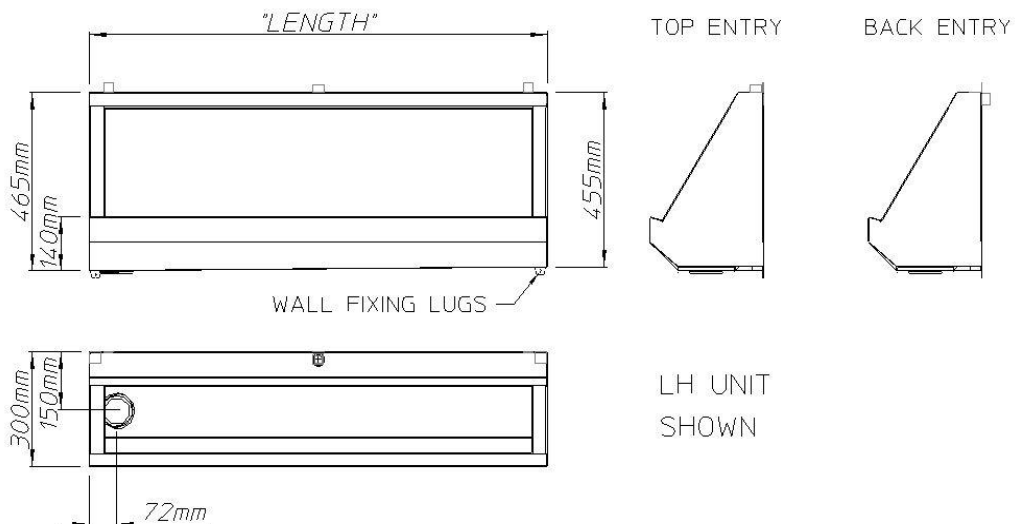
Right hand Outlet, Back Inlet

Product:	Code:
Fife	SAN6155
Fife	SAN6156
Fife	SAN6157
Fife	SAN6158
Fife	SAN6159
Fife	SAN6163
Fife	SAN6164
Fife	SAN6165

#### Technical Detail:

**Material:** <304> 1.4301 Stainless Steel  
**Gauge:** 1.2mm  
**Inlet:** 22mm Compression Top or Rear - (Central)  
**Outlet:** 2" Bsp Left or Right - (Handed)  
**Sparge:** Factory Fitted  
**Fixing:** Wall

#### Lined Drawing:



## Fife: Trough Urinal

### Packaging Detail

**Packing Dimensions Approx.:**

1250mm x 500mm x 170mm

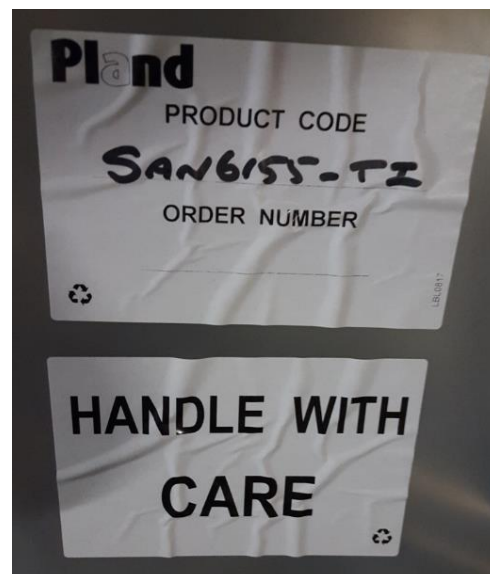
**Total Weight:**

15kg

**Materials Used:**

Shrink wrap/ blue Nomafoam/ cardboard

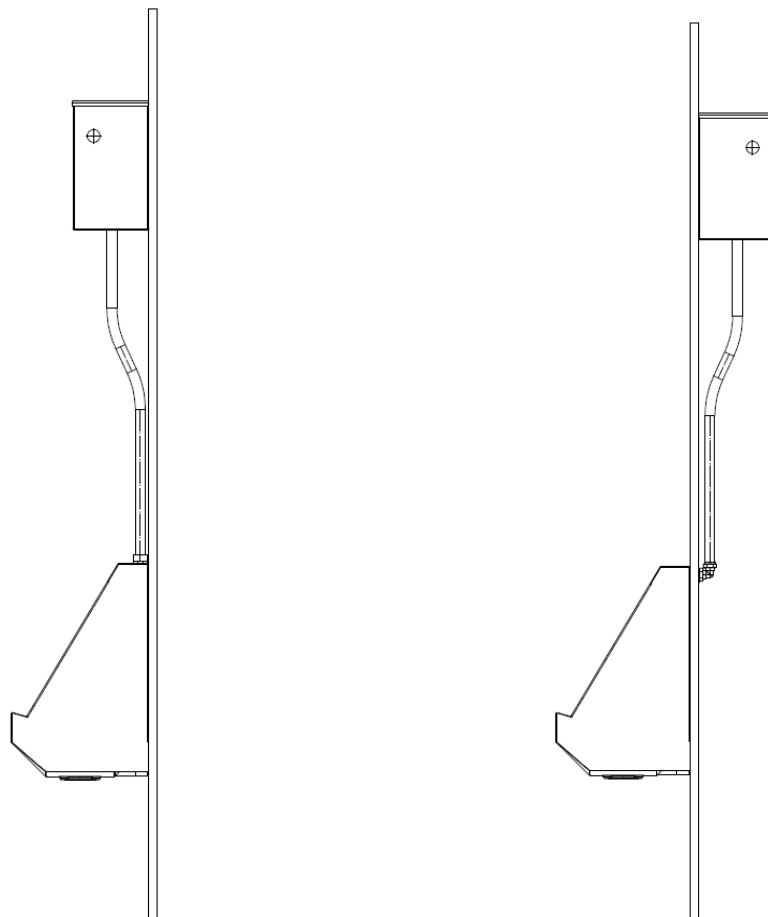
**Item Supplied With Product Label**



## Fife: Trough Urinal

### Installation Detail

- 1) Remove all packaging
- 2) Mark on wall height needed for unit
- 3) Offer unit to wall at marked height and mark through the 4 No. fixing lug holes ensuring unit is horizontal.
- 4) If rear inlet mark position of inlet and bore through wall to suit.
- 5) Drill holes for fixings suitable for the wall the until will be fixed to (Not supplied)
- 6) Fix unit to the wall
- 7) Fit supplied waste following enclosed instructions to outlet and connect to on site plumbing 2" BSP
- 8) Fit cistern to wall following enclosed instructions and connect the flush pipe to the Urinal inlet and the Cistern outlet.
- 9) Fit pipework to wall with supplied wall clips
- 10) Connect inlet water supply to the fitted cistern following enclosed instructions.
- 11) Prime the auto cistern following enclosed instructions.
- 12) Once primed the unit should flush automatically at a timed interval
- 13) The unit should now be ready to use



# Fife: Trough Urinal

## Spare Part Detail

- 1) Cistern - CISTERN-W9 - Up to 1500mm
- 2) Down Pipe - URDP30 - Up to 1500mm
- 3) Cistern - CISTERN-W13.5 - Over 1500mm
- 4) Down Pipe - URDP35 - Over 1500mm
- 5) Domed Waste - WK0408
- 6) Fix Kit
  - i. 62100P - 1" Bsp Plastic Coupling Nut x 1
  - ii. BS314 - 22mm O'Ring x 1
  - iii. 402230 - 2 Pce Saddle Clip x 2
  - iv. 999000Y - Yellow Plastic Masonry Plugs x 4
  - v. 9S90825 - 8g x 1" SS Slotted Pan Head x 4
- 7) Compression Tee - 693112 - Fitted
- 8) Sparge pipes - Cut To Length & Factory Fitted

6 Fix Kit



5 Domed Waste



1 & 2 or 3 & 4



## Care Of Your Product

### HANDLING AND FIXING CAUTION

Take care when handling and fixing this product. Exposed edges of the stainless steel, including tap holes, upstand, overflows and wastes etc. may cause harm if handled without due caution. When using the fixing clips supplied with inset sinks avoid touching the two prongs on the area of the clip that grips the underside of the worktop.

### TO THE STOCKIST

Please store products in a cool, dry area.

Sinks should, where possible be stood on their ends supported by battens with the bowl uppermost.

If sinks are nested with bowls inside one another, place some dry cushioning material between them to protect the surfaces.

### TO THE INSTALLER

**DO** handle with care to avoid scuffs and scratches during installation.

**DO** check that edges of sinks are dead level so that water will flow off the draining board.

**DO NOT** over-tighten plumbing or other mechanical fixtures.

**DO NOT** remove the plastic protective film applied to certain products until all installation work has been completed.

**DO NOT** stand/kneel on the drainer of sinks.

**DO NOT** drop mortar, plaster or similar substances onto the stainless steel.

### TO THE USER

Stainless steel will give you a lifetime of trouble free use as long as you follow a few simple rules. If it appears to mark, don't worry, it is usually not the steel, but something deposited on it, which has caused the apparent stain.

**DO** - wash the product before use.

**DO** - clean the product regularly, using JIF, Goddard's, or similar recommended cleaners. Follow the manufacturer's instructions carefully. Always rinse well with clean water and dry the surface with a soft cloth.

**DO** - use nylon or bristle brushes, not metal scrapers or wire brushes to loosen stubborn stains.

Never use wire wool pads, as they can scratch the steel.

**DO** - take care when handling sharp objects as they can scratch the surface of the steel. Any scratches will blend together over a period of time and become less noticeable with age. There is no detriment to the corrosion resistance or general performance of the material.

**DO NOT** - allow undiluted bleach to remain in contact with stainless steel (remember dishwasher powders, sterilising agents and similar products all contain chlorides). Black pit marks can result and permanent damage can be caused. Dilute to manufacturer's instructions and always rinse with clean water.

**DO NOT** - soak clothes in bleach solutions for long periods. Always rinse bowl with clean water after use.

**DO NOT** - leave such substances as Mortar, Grouting cement, soldering flux, photographic developing fluids, silver dip, denture liquids or food acids on the surface of the steel. Clean immediately and rinse well with clean water.

**DO NOT** - allow corrosive foodstuffs, such as fruit juices, damp salt, vinegar, mustards, pickles and mayonnaise to remain on the surface of the steel for long periods. Wash and rinse away.

**DO NOT** - let hard water cause a build-up of lime or chalk deposits which can sometimes be seen as a greyish film. Clean regularly with recommended cleaners to avoid this problem and always wipe dry with a soft cloth.

**DO NOT** - worry if the steel appears to rust. Usually it's deposits of wire wool scouring pads, plumbers swarf, particles from rusting storage tanks or other deposits on the surface which can be cleaned and rinsed away following your usual cleaning procedure. Bases of washing up bowls can harbour such deposits – check regularly.

**DO NOT** - use coarse grit cleaners or wire wool pads when cleaning the steel. They will scratch the surface.

**DO NOT** - leave carbon steel objects such as bottle openers, scissors, whisks and other kitchen objects standing on the surface for long periods, they can rust and leave marks.

**DO PLEASE ENJOY YOUR NEW STAINLESS STEEL PRODUCT**



## Cleaning Regime

Problem	Corrective Treatment	Comments
Routine Cleaning.	Washing up liquid, all-purpose cleaning liquid, swab with cloth or sponge rinse well.	Satisfactory on all surfaces.
Oil & Grease Marks.	Degreasing fluid or cellulose thinners.	Rinse with soap & water.
Stubborn marks, stains and light discoloration.	Mild abrasive creams ( Sif / Shiny sinks).	Heavy stains can be loosened by soaking with Metsoak or Hi-Phos. Rinse thoroughly after soaking as these products cause rust type marks if left.
Heavy discoloration or heat tint.	Use metal polish (Brasso, Goddard's S/S Cleaner, Bar Keepers Friend) or a light non-metallic abrasive pad. Dura glit.	Use only on grain finish surfaces and work in direction of grain as slight scratching will occur.
Lime Scale	Apply descaler as instructed, agitate & allow to soak, re apply if not fully removed. (Met-soak DX4920 or Hi-Phos)	Bleach solutions including over the counter brands must only be used in dilution as instructed and thoroughly rinse immediately after application as chloride containing compounds will cause corrosion on all grades of stainless steel.  Rinse thoroughly after application and wipe dry as rust type stains can result if left undiluted on surface

There are also products on the market which help to reduce the marks left by fingers and hands one of which is 3m's stainless steel cleaner, also of help is baby oil very lightly applied to the surface.

### SANITIZING URINAL BLOCKS

The use of these products must be done with the knowledge that they can in some instances react with other cleaning agents or on their own and cause scarring of the surface of the stainless steel. It is advisable to move them around the channel frequently to reduce their effect on one concentrated area.