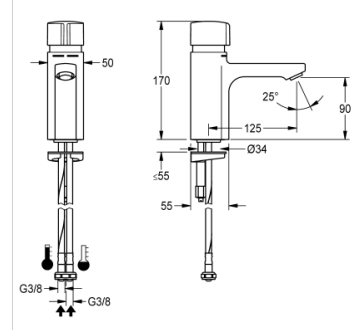


# SELF-CLOSING PILLAR MIXER

F5SM1001 | 2030036163

PRODUCT GROUP (PG) : Taps | ARTICLE FAMILY (AF) : Self closing tap | ARTICLE GROUP (AG) : F5SM1001 ++ | LIFECYCLE : New | MODEL RANGE : F5



F5S-Mix self-closing pillar mixer DN 15 as single-mixer tap for sanitary facilities. FRAMIC self-closing mixing cartridge, hydraulically controlled, low-maintenance and stagnation-free, with ceramic disc technology, self-closing, flow pressure-independent due to medium-separated design. Stepless adjustment of flow duration. With adjustable, turn-proof temperature stop. For connection to hot water and cold water via hoses with integrated backflow preventer and strainers. All-metal construction, high-polished chromium-plated brass. Anti-theft aerator, SLIM design, with integrated flow regulator 5.0 l/min.

## TECHNICAL DATA

Gross Weight	1.76 kg
Net Weight	1.66 kg
Functional Principle	HYDRALIC-C
Type Of Mixing	YES
Type Of Mounting	TAPHOLE
Type Of Tap	PILLAR-TAB
Calculation Flow Rate Cold Water	0.07 liter per seconds
Calculation Flow Rate Hot Water	0.07 liter per seconds
Depressurised	NO
Adjustable Flow Time	YES
Diameter Nominal	DN-15-1-2INH
Material Fitting	BRASS
Maximum Flow Time	60 s
Minimum Flow Pressure	0.50 bar
Minimum Flow Time	5 s
Protective Shutdown	NO
Spout Projection	125.00 mm
Surface Finish Fitting	CHROMISED
Thermal Disinfection	NO
Type Of Operation	MANUAL-OPERATION
Volume Flow Rate At 3 Bar	0.08 liter per seconds
Inlet Size	G3-8
Sound Insulation	NO

# SELF-CLOSING PILLAR MIXER

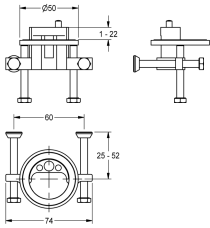
F5SM1001 | 2030036163

PRODUCT GROUP (PG) : **Taps** | ARTICLE FAMILY (AF) : **Self closing tap** | ARTICLE GROUP (AG) : **F5SM1001 ++** |  
LIFECYCLE : **New** | MODEL RANGE : **F5**

---

## ACCESSORIES

---



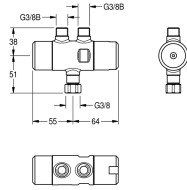
---

### TWIST-PROOF SET

---

2030035383

---



---

### THERMOSTATIC MIXING VALVE

---

2030012758

---