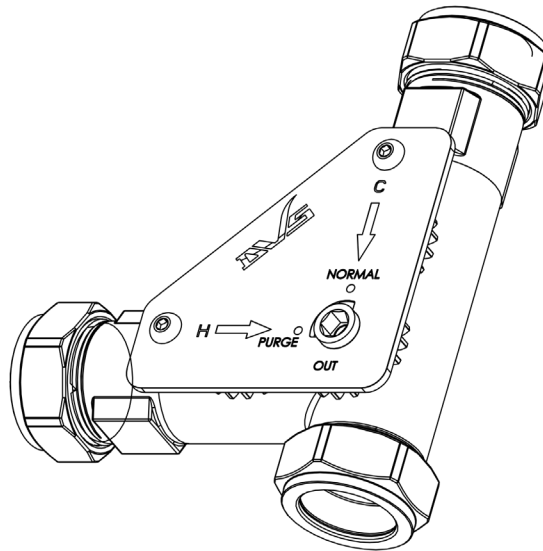


Thermal Disinfection Valve

Installation & Operating Instructions

AC17-080



Step 1 : Safety First

These instructions relate to the use of the **Thermal Disinfection Valve** only, any external or 'add-on' parts will be supplied with separate instructions.

You must read these instructions thoroughly before attempting to install this product.

Please note; Once returned to normal operation, be sure to run water for 10 seconds to purge out hot water in cold pipework.

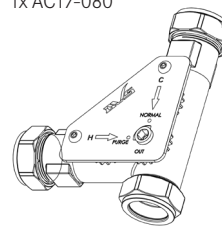
IMPORTANT : Please read these instructions carefully and follow each stage in order!



Step 2 : Parts

A typical system will comprise of the parts* below:

1x AC17-080



1x Label



1x Allen key



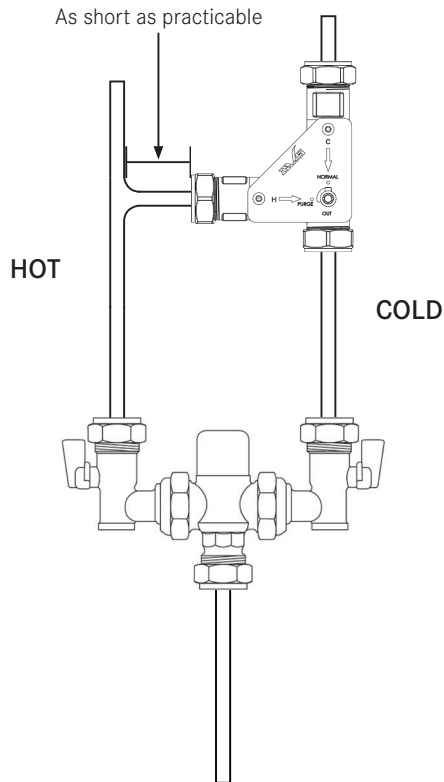
Instruction Manual x1

Step 3 : Optional parts

Optional system parts will comprise of the parts* below:

UC00-070 - Reducing Kit

Step 4 : Typical Installation



The Thermal Disinfection Valve is typically directly plumbed into the water supply, when a thermal purge is required the valve can be switched between “NORMAL” and “PURGE” operation via quarter turn.

The Thermal Disinfection Valve will not function correctly unless Hot water is fed into the Red inlet and Cold water is fed into the Blue inlet.

IMPORTANT:

Ensure pipe length for hot feed is as short as practicable.

This product is not to be used as a thermostatic mixing valve.

This Thermal Disinfection Valve should be installed prior to and used in conjunction with an approved thermostatic mixing valve.

Warranty & Support

Warranty

The DVS Thermal Disinfection Valve is guaranteed for 5 years from purchase against defective material and assembly.

Support

For technical support please visit our technical pages on our website at www.dartvalley.co.uk or contact us by e-mail at techsupport@dartvalley.co.uk Alternatively, you can telephone us direct on 01803 529021 and our customer service team will be pleased to help you.

Head Office

Dart Valley Systems Ltd
Kemings Close
Long Road
Paignton
Devon
UK
TQ4 7TW

Contact Details

t : +44 (0) 1803 529021
f : +44 (0) 1803 559016
e : techsupport@dartvalley.co.uk
w : www.dartvalley.co.uk