

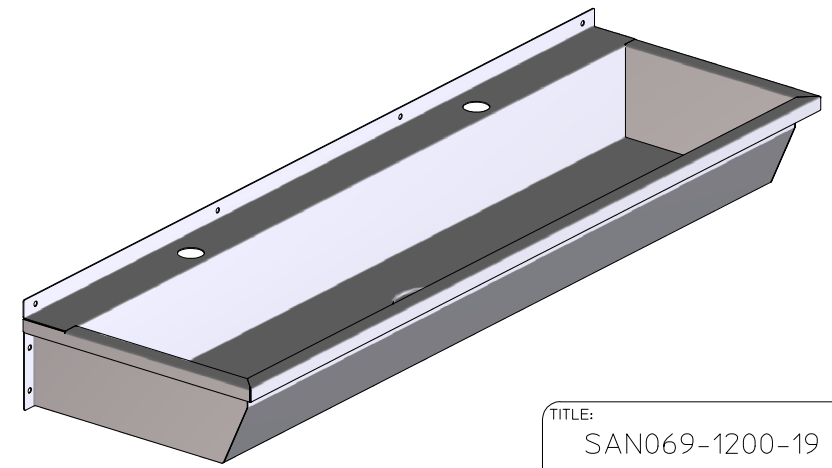
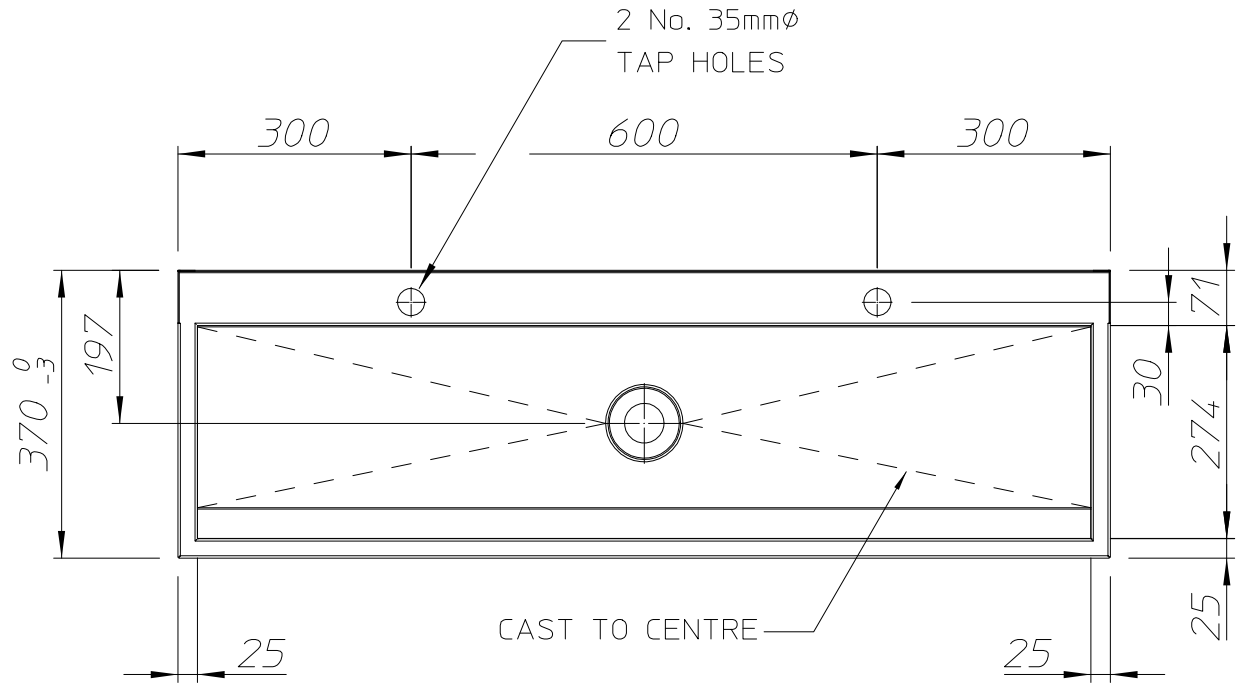
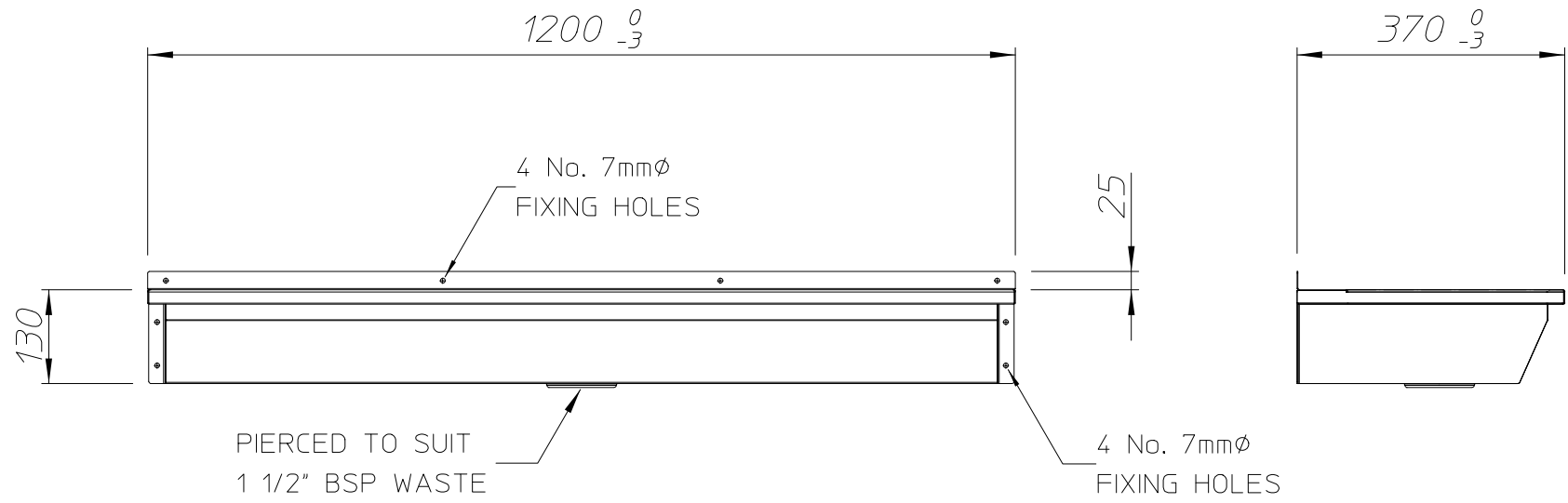
COPYRIGHT IN THIS DESIGN AND IN THIS DRAWING IS THE PROPERTY OF PLAND STAINLESS LTD. REPRODUCTION IN WHOLE OR IN PART IS FORBIDDEN WITHOUT THE WRITTEN SANCTION OF PLAND STAINLESS LTD.  
 2015 © COPYRIGHT PLAND STAINLESS LTD.

WHERE NO SPECIFIC TOLERANCE IS INCLUDED A GENERAL TOLERANCE OF + OR - 2 APPLIES.

UNLESS OTHERWISE STATED ALL DIMS MM.

ISSUE	REVISION	DATE
A	ORIGINAL	

SOUND DEADENING PADS TO UNDERSIDE



TITLE: SAN069-1200-19

**pland** PLAND STAINLESS LTD.  
 LOWER WORTLEY RING ROAD.  
 LEEDS

FAX: 0113 231 0560  
 PHONE: 0113 263 4184

LS12 6AA

DRAWN: R MIDGLEY DATE: 14-08-20

CHECKED: DATE:

APPROVED: DATE:

SCALE: 1:5 DO NOT SCALE

MATERIAL: 304 GRADE S/S 1.2mm

FINISH: SATIN FINISHED

DRG No. SAN069-1200-19