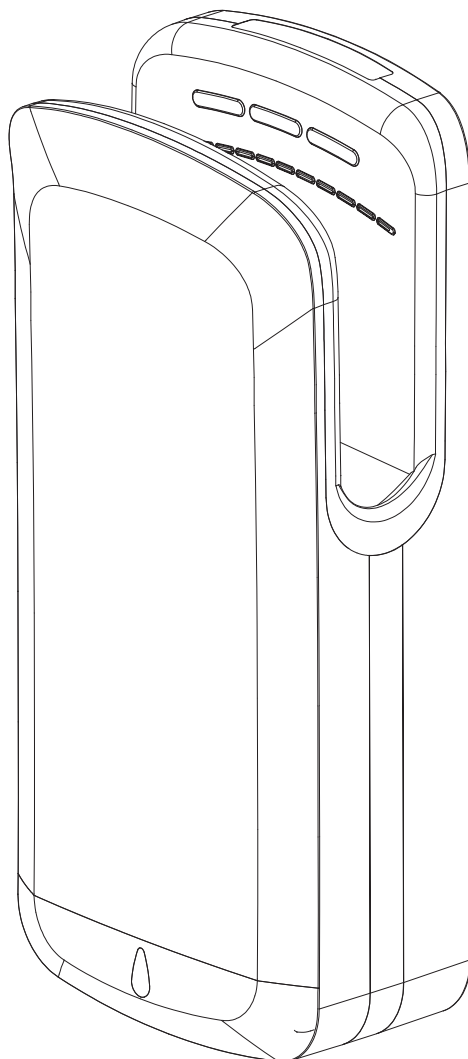


**ECO  
FRIENDLY**



**BLUEDRY**

## **High-Speed Jet Blade Hand Dryer User Manual**



**Model: HD-BD1091**

Please read and save these instructions. Read carefully before attempting to assemble, install, operate, or service the product described. Protect yourself and others by observing all safety information. Failure to comply with instructions could result in personal injury and/or property damage. Retain instructions for future reference.

## 1. DESCRIPTION

The hand dryer is a surface-mounted hand dryer powered by a brushless motor, and delivers up to 1650 watts of drying power. The dryer incorporates a replaceable HEPA filter and a reusable air intake prefilter. An infrared sensor is used to automatically activate the dryer. The dryer is intended for use in commercial, industrial, office and public facility environment.

## 2. ADVANCED FEATURES

THIN design with rapid drying, cost effective and hygienic.

25 seconds continuous timer protection.

Anti-splash structure design.

Using highly efficient motor to create strong airflow to scrape the water off the hands.

No disposal, storage and labour cost compared with paper towel, only clean once a day.

Clean air by UV sterilization to keep air bacteria free.

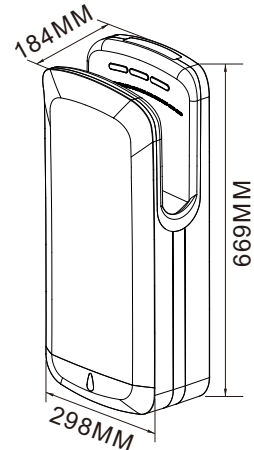
99% of all bacteria filtered by HEPA filter with easy changeable system.

Up to 90% saving compared to paper towel costs.

ECO-friendly product by power saving clean technology.

## 3. SPECIFICATIONS

Voltage:	220V-240V 50/60Hz <input type="checkbox"/>
	110V-120V 60Hz <input type="checkbox"/>
Power/High Speed:	1650W-2050W(Heater on)/700W-800W(Heater off)
Power/Low Speed:	1450W-1850W(Heater on)/650W-700W(Heater off)
Air Temperature:	40°C(Room Temp.= 25°C)
Air Velocity:	100M/S
Air Flow:	130M <sup>3</sup> /H
Drying Time:	7-9S
Protection Level:	IPX1
Electric Isolation:	CLASS 1
Motor:	Brushless Motor in 22000RPM
Noise(at 1M):	70dB
Cabinet Material:	ABS Plastic
Net Weight:	7.5 KGS
Gross Weight:	9.1 KGS



## 4. SAFETY INFORMATION

**⚠ DANGER** Failure to disconnect the power source before installation or servicing can result in serious injury or death from electric shock. Always disconnect the power source before servicing or installing the hand dryer.

**⚠ WARNING** Risk of fire, electric shock, personal injury or property damage are possible if local codes, or safety recommendations are not followed.

- Use only for drying hands and, do not use hand dryer for any purpose other than drying hands.
- Carefully follow all instructions for installation on the enclosed installation template/instructions.
- Installation should only be performed by qualified persons in compliance with all applicable national and local codes and standards.
- When cutting or drilling into wall or ceiling, do not damage electrical wiring and other hidden utilities.
- Always connect to a branch circuit with circuit breaker or fuse protection with an electrical rating greater than the model hand dryer's rated amperage.
- Use only the electrical power (voltage and frequency) specified for the model hand dryer being installed.
- Each hand dryer must have a dedicated circuit.
- For indoor use only. Do not use outdoors. Do not expose to rain, sun or extreme temperatures. Do not use near source of water or extreme heat.
- To limit a voltage drop, and insure efficient operation, use right size wire.
- Repair work should only be performed by an authorized dealer.
- This appliance is not intended for use by persons with reduced physical, sensory or mental capabilities, or lack of experience and knowledge, unless they have been give supervision or instruction concerning use of the appliance by a person responsible for their safety.

**⚠ WARNING** Risk of fire, electric shock, personal injury or property damage are possible if the following safety precautions are not followed.

- Repair work should only be used only genuine replacement parts.
- Do not insert foreign objects in the unit or place heavy objects on the unit.
- Do not use in corrosive environments or explosive atmospheres.
- Do not use in extremely humid locations or near source of water.
- Do not immerse appliance in water or other liquid.
- Children should be supervised not to play with the appliance.

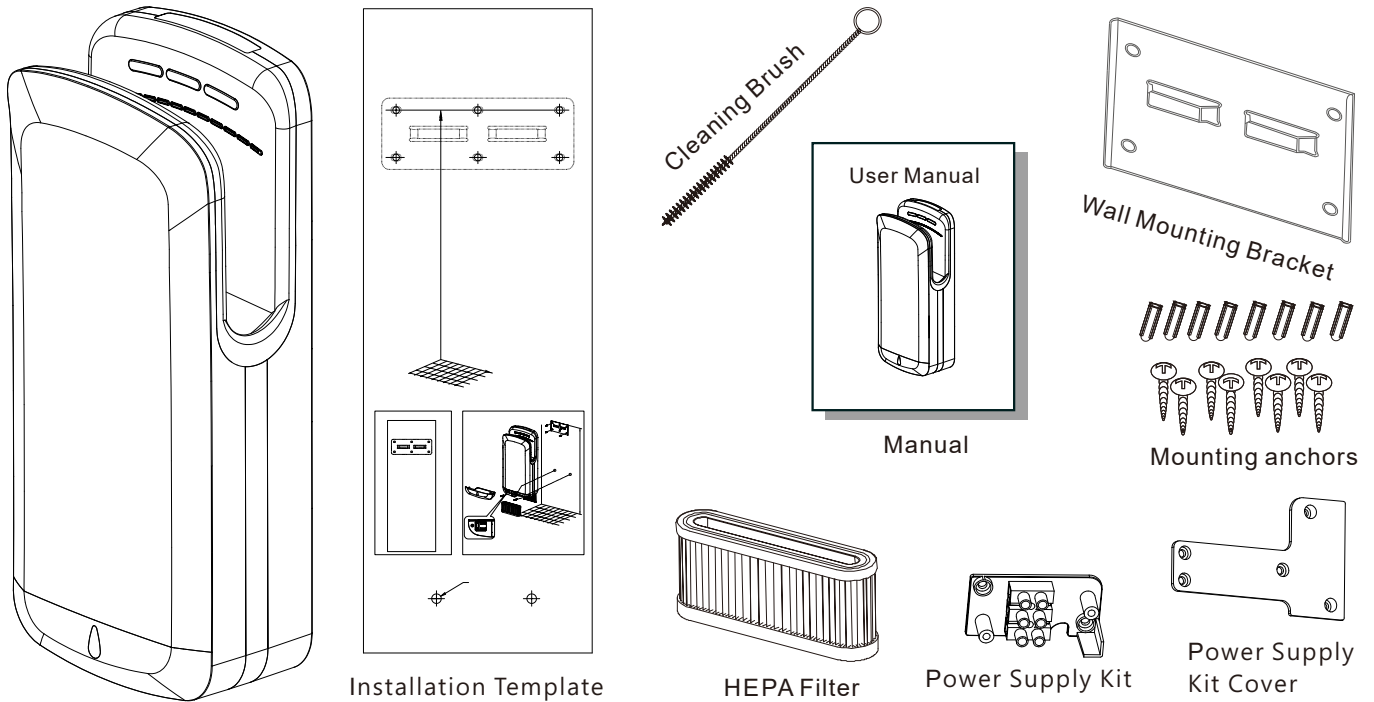
**⚠ WARNING** When you dispose of an old appliance or any components, follow any local and national laws on disposal of electronic waste. This appliance must not be disposed together with the domestic waste. This appliance has to be disposed at an authorized place for recycling of electrical and electronic appliances.

By collecting and recycling waste, you help save natural resources, and make sure the product is disposed in an environmental friendly and healthy way.

## 5. UNPACKING / STANDARD ACCESSORIES

1. Remove all packing material. Recycling is recommended.
2. Carefully remove the hand dryer from the shipping carton, using care not to drop the appliance.
3. Inspect carefully for any damage that may have occurred during transit. Check for any loose, missing or damaged parts.
4. If the hand dryer is damaged or missing parts, promptly inform the dealer where you purchased it.

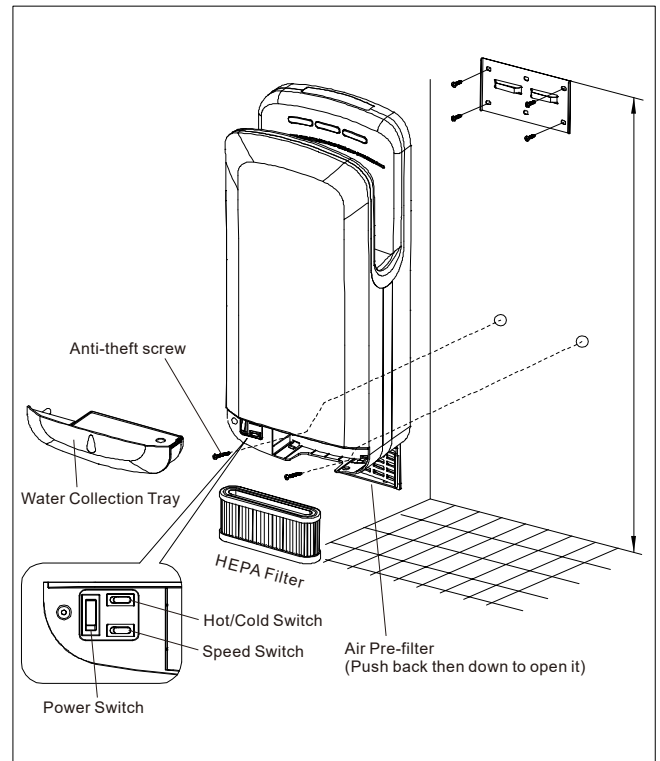
Standard items included with the hand dryer are:



## 6. INSTALLATION

**CAUTION** Improper mounting could result in personal injury or property damage.

1. Use the mounting template provided to mark the locations for the 8 wall mounting anchors to attach the wall mounting bracket to the wall.
2. It is recommended that at least 2 of the 6 mounting anchors for the unit be fastened into a wall stud or support.
3. To use the hollow wall anchors included with the wall mounting kit, pre-drill the wall in the marked locations using a 6/25" (6mm) drill, insert the plastic anchors and tap flush to the wall.
4. Complete the attachment of the wall mounting bracket to the wall with the 6 mounting anchors.
5. If the hand dryer supplied with plug, hang it on the bracket.
6. If the hand dryer is supplied without a plug, please open the power supply kit cover on hand dryer back and connect as follows <Power should be OFF>:
  - A. Connect the live wire (Coloured Brown, Red, or Black) to the terminal block marked "L".
  - B. Connect the neutral wire (Coloured Black, Blue) to the terminal block marked "N".
  - C. Connect the ground wire (Coloured Green & Yellow) to the terminal block marked "E".
 Replace power supply kit cover then hang dryer on bracket.
7. Remove the water collection tray from the bottom of dryer, and complete the attachment of the dryer with left 2 anchor.
8. Before replace water collection tray, there is an option to run the dryer heater On or OFF and air speed High or Low. The switch is clearly marked.
9. Replace the water collection tray.
10. Open the pre-filter to install the HEPA filter if necessary with rubber ring side up.
11. Connect to power supply socket or turn on power.



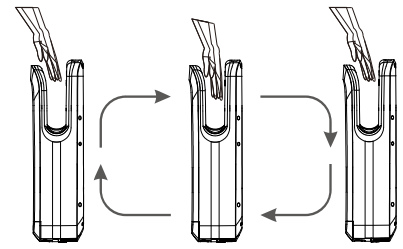
## 7. HOW TO USE

1. No-touch operation.
2. There is a blue LED light to guide user to the air flow.
3. The hand dryer will start automatically when hands are inserted.
4. Slowly move your hands up and down through the air stream for 7-10 seconds.
5. The hand dryer will stop automatically after hands are removed.

LED Display: The LED display provides information about the operation and servicing needs of the hand dryer.

- A. Drying time and welcome diagram  
C. Air sterilization indicator

- B. Power indicator  
D. Self-check indicator



The dryer is equipped with an ON/OFF Power Switch, Speed Control Switch and Hot/Cold Switch for option if desired.

The factory default setting for the Power Switch "ON", Speed Control Switch "HIGH" and Hot/Cold Switch "HOT".

All the switch are located inside the dryer - left side of the water collection tray. To access, remove the water collection tray and it is clearly marked.

## 8. MAINTENANCE AND CLEANING INSTRUCTIONS

**CAUTION on HEPA:** Failure to replace a used / dirty HEPA filter can cause overheating of the hand dryer's motor or heating element may invalidate your warranty. It is recommended to clean it once/week.

1. This hand dryer is equipped with removable intake air pre-filter and a replaceable HEPA filter.
2. Regularly check filter status. High traffic may require more frequent replacement of the HEPA filter.
3. The removable intake air pre-filter can be cleaned and re-used.
4. Replacement filters can be purchased through your dealer where you purchased the hand dryer.
5. HEPA filter is recommended to be cleaned by a vacuum cleaner.

**CAUTION on Water Collection Tray:** Regularly check the water collection tray and empty the water when required. Clean the tray then replace it. Full tray will overflow onto the floor unless connected to a permanent drain.

### CLEANING

All surface of the hand dryer can be cleaned with a soft cloth and no-abrasive, non-caustic cleaning solutions.

Provided cleaning brush should be used for cleaning the drain hole in the bottom of the drying cavity.

## 9. DIAGNOSTICS & REMEDIES

SYMPTOM	CORRECTIVE ACTION
Hand dryer fails to start	Check power supply is turned on and the power switch on hand dryer is on. Check for foreign objects in the drying cavity that maybe blocking the sensors. Insert hands a little further into the drying cavity to active sensors.
Hand dryer turns on/off erratically	Clean sensor area inside the drying cavity.
Not hot air	Heater will not operate if ambient temperature is more than 25°C. Check heater fuse or heater assemble broken.
Low airflow	Turn speed control switch at position of "H"
Hand dryer locked	Hand dryer will be locked by program if volatge changed range is more than 15%. Turn off the hand dryer for several minutes then turn it on.

## 10. LIMITED WARRANTY

This hand dryer has a limited warranty from the date of purchase for any manufacturing defect. It covers replacement of defective parts except when caused by improper use of the hand dryer.

This warranty is only valid if the form card has been properly filled up with the vendor stamp.

For any warranty claim you should contact your local distributor or manufacturer.

Model:..... Serial No.:.....

Distributor:..... Customer:.....

Address:.....

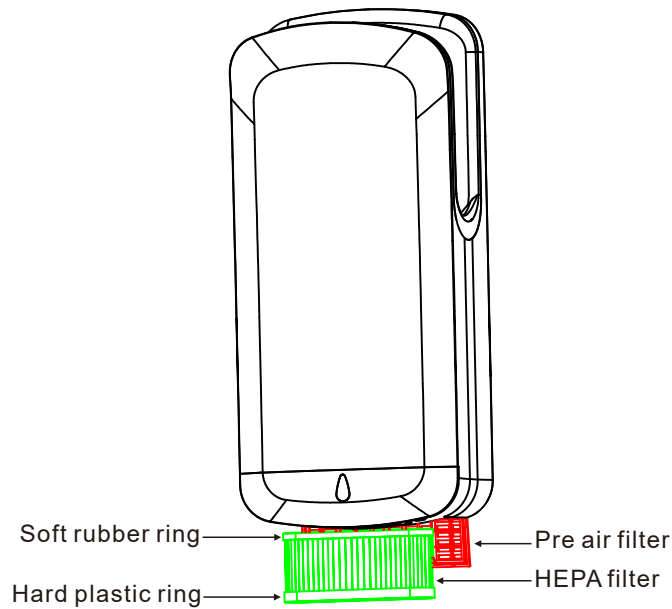
Tel No.:..... Fax No.:.....

Date of purchase:.....

For Seller:..... Signature & Stamp:.....

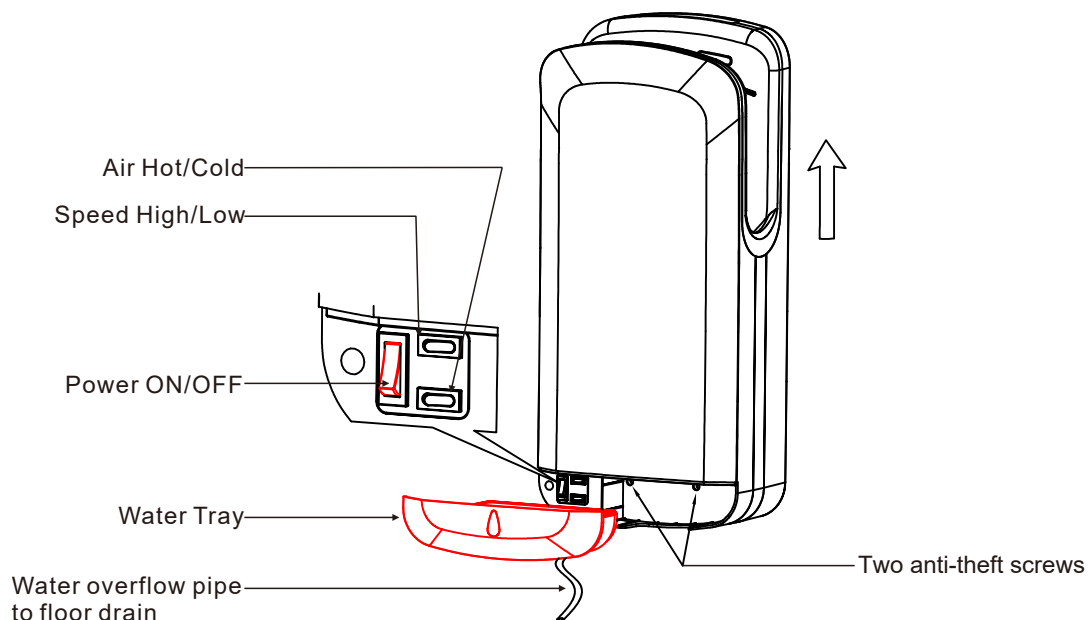
## Replacing the HEPA Filter and Pre-filter

**⚠ WARNING: Disconnect power at the breaker or unplug the hand dryer before any servicing & maintenance!**



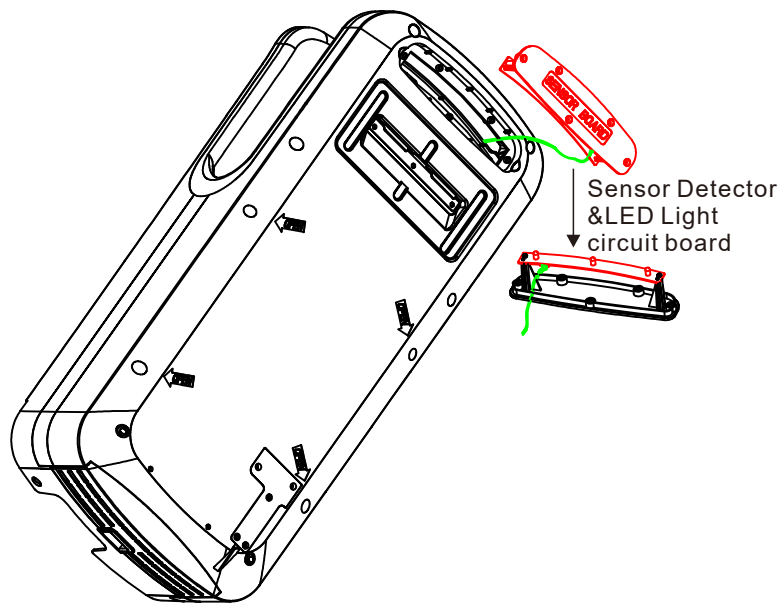
1. Press back then down to open pre air filter.
2. Remove the HEPA filter. Replace with a new HEPA, ensuring the HEPA's rubber ring is in the upside position.
3. Clean the dust lint on the pre-filter.

## Replacing the water tray and uninstalling hand dryer from wall



1. If the water overflow pipe is connected, please move it first.
2. Pull out the water tray. Then loose the two anti-theef screws (the HEPA is moved only when refixing the two screws).
3. First push up then pull out the front to take hand dryer from the wall (take care, the dryer weighs 11KG).
4. Once reinstalled, replace water tray, there is an option to run the dryer heater On or OFF and air speed High or Low. The switch is clearly marked.

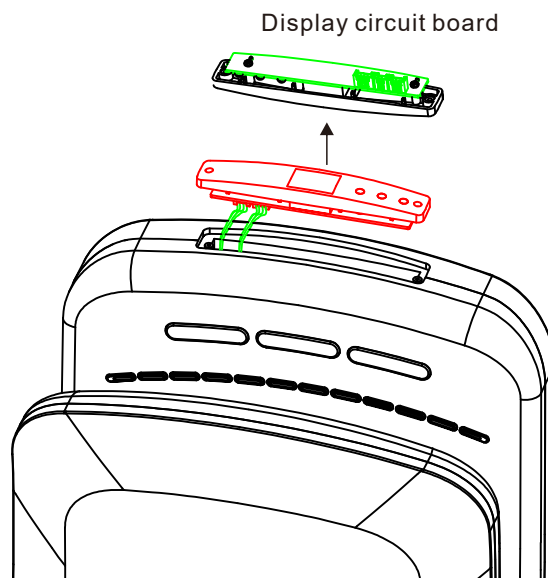
## Replacing the Sensor Detector & LED Light Circuit Board



### **Replacing the Sensor Detector & LED Light Circuit Board:**

1. Remove the screws on the sensor detector&LED light circuit board holder. Gently use a screwdriver to pull the cover out a little to open it.
2. Remove cover gently and the circuit board will come out together! Be careful there is wire connected on the circuit board.
3. Remove the two screws on circuit board and replace with a new board.

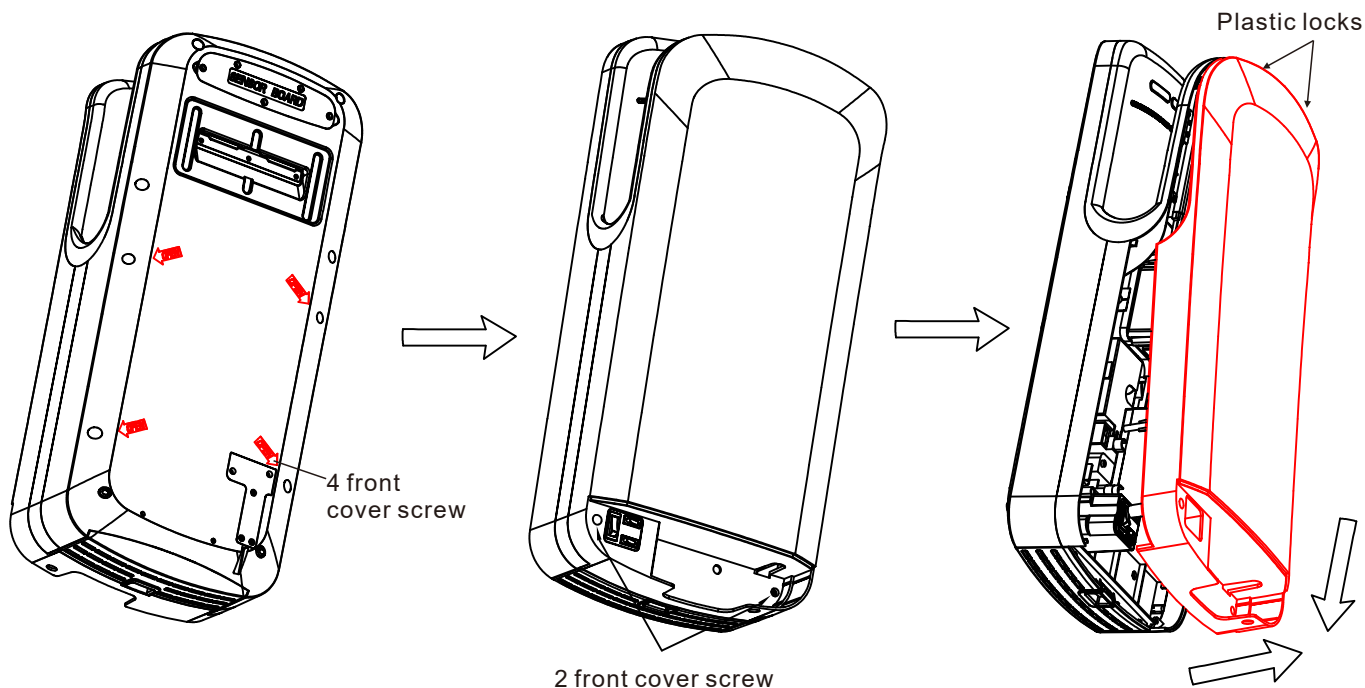
## Replacing the Display Circuit Board



### **Replacing the Display Circuit Board:**

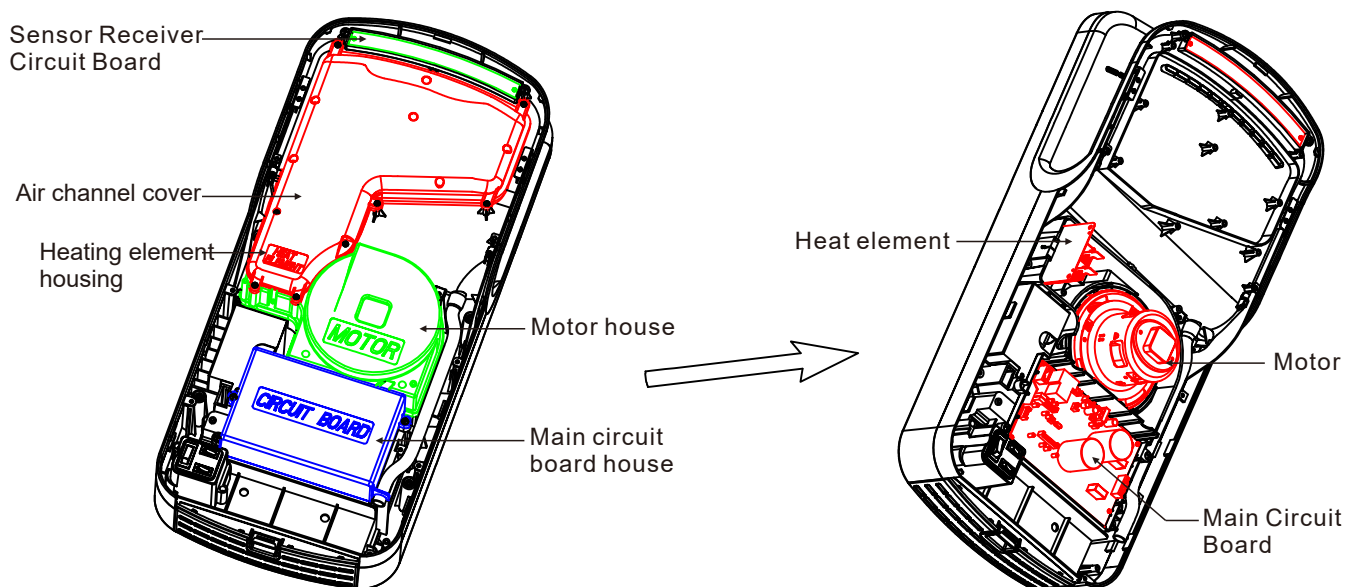
1. Remove the sticker. Be careful not damage the hand dryer edge where it will affect the surface.
2. Remove two screws on the timer circuit board holder. Use a screwdriver to pull the holder out.
3. Take the holder out lightly and the circuit board will come together! Be careful there is a wire connected on the circuit board.
4. Remove two screws on circuit board and replace the board.
5. After replacing the new circuit board right, we suggest you use a new sticker.

## Opening the hand dryer front cover



1. Remove 4 front cover screw on hand dryer back base as the arrow marked.
2. Remove 2 front cover screw on the hand dryer front&bottom.
3. Pull the front cover up then back to remove it.
4. Pull the cover slowly and gently as there is a plastic lock on the top side.
5. Be careful not to damage the top side plastic locks used to fix the front cover to the base.

## Replacing Main Circuit Board, Sensor Receiver Board, Motor, Heat Element



**Replace Main Circuit Board:** Move marked circuit board house cover and replace with a new right circuit board.

**Replace Sensor Receiver circuit board:** Move marked circuit board screw and replace with a new board.

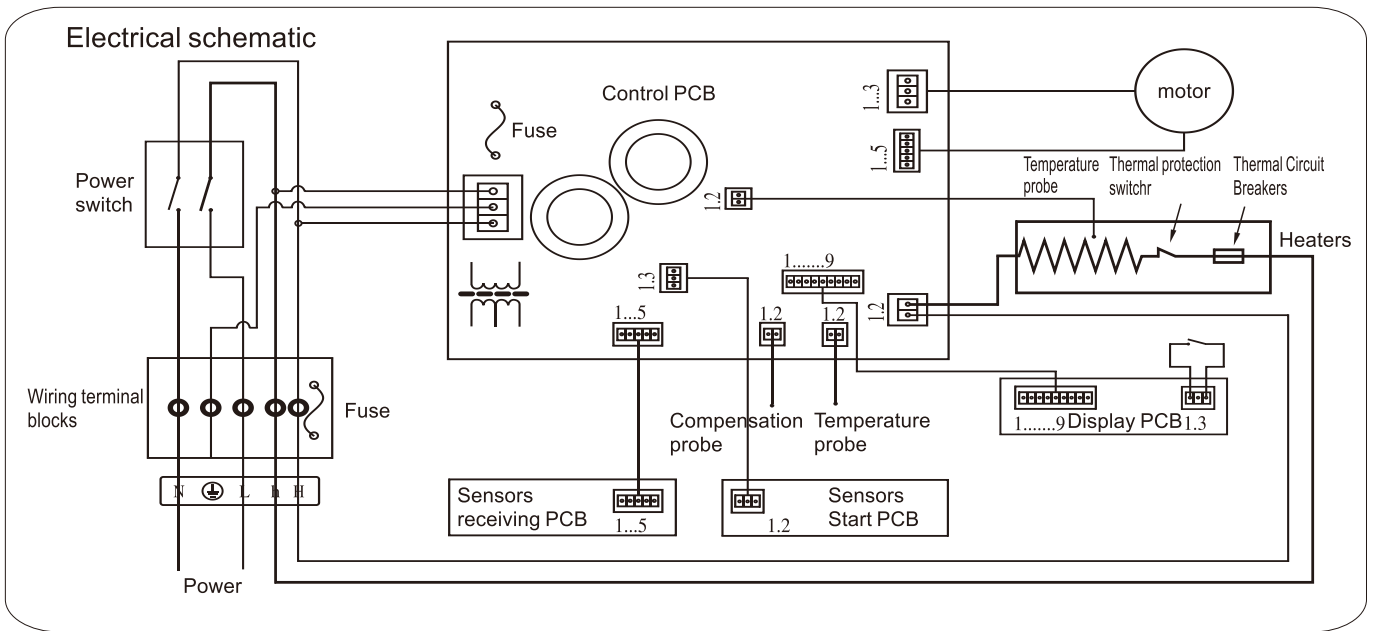
### Replace Heat Element:

1. Move marked air channel cover. Take the heat element out then replace a new one.
2. Replace air channel cover. Be sure the air seal rubber is in the right location to avoid air leakage.

### Replace Motor:

1. Move marked air channel cover and motor cover. Take the motor out and replace with a new motor.
2. Replace motor cover. Be sure the motor protection rubber&foam, air seal rubber are in the right location.
3. Replace air channel cover. Be sure the air seal rubber is in the right location to avoid air leakage.

## Hand Dryer by Brushless Motor Electric Diagram



## Hand Dryer by Brush Motor Electric Diagram

