

## Luxury close coupled Doc M toilet pack, stainless steel, concealed fixings



### Product details

<b>Warranty:</b>	See individual products
<b>Maximum load:</b>	See individual products
<b>Doc M compliant:</b>	Yes
<b>Suitable for wet areas:</b>	Yes

### Features

- Complies with Part M of the Building Regulations
- Hygienic rimless pan with robust dedicated seat
- Inlet valve and syphon Reg 4 Certified (WRAS, NSF, Kiwa, etc.)
- Concealed fixing stainless steel grab rails
- Universal - suitable for left or right-handed transfer
- Simple one box solution
- Optional TMV3 Valve

### Finish options



Matt black  
RAL 9005



Satin  
Stainless Steel



Polished  
Stainless Steel

### Product description

Luxury close coupled Doc M toilet pack, stainless steel, concealed fixings

Luxury close coupled Doc M toilet pack, stainless steel, concealed fixings, TMV3 valve

### Product code

F22-CCXX-SSC-\*\*

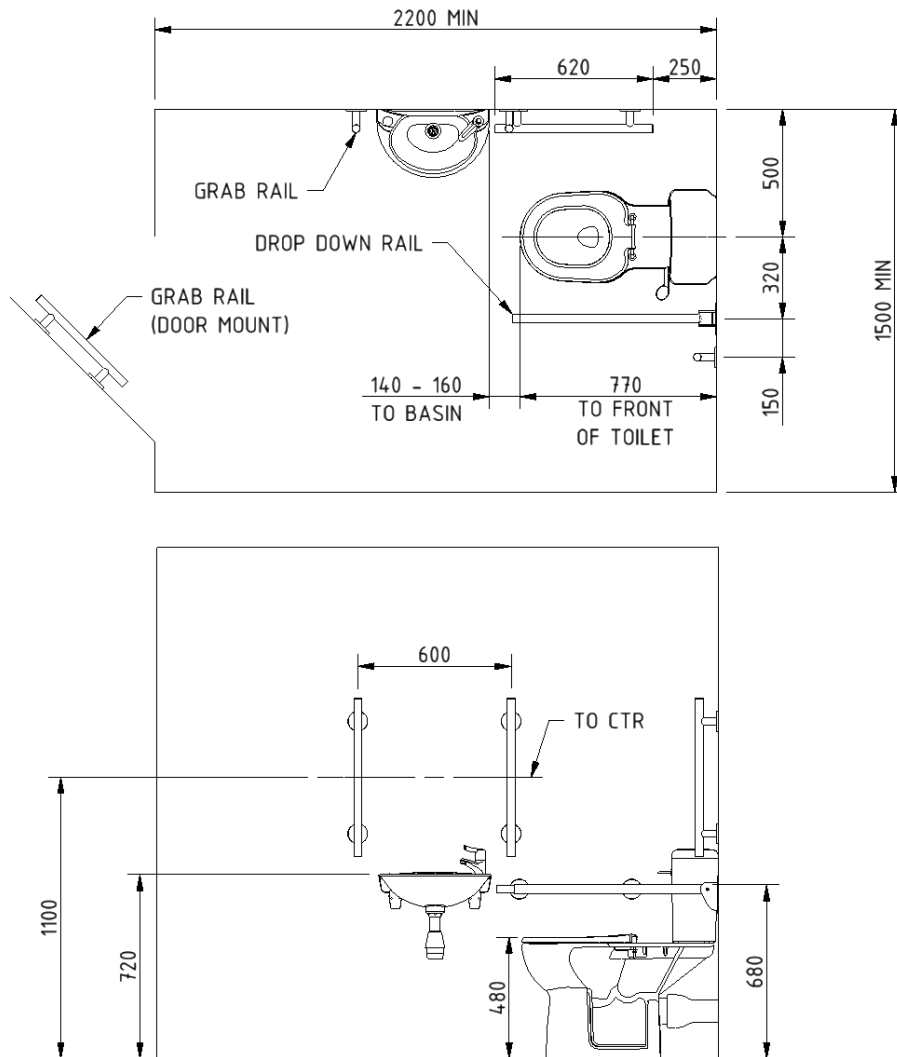
F22-CCTX-SSC-\*\*

Replace \*\* with finish option code above e.g., F22-CCXX-SSC-MB

## Pack contents

- 4 x 600mm stainless steel luxury grab rails with concealed fixings
- 1 x 450mm stainless steel luxury grab rail with concealed fixings
- 1 x 800mm stainless steel contemporary hinged support rail
- 1 x Close coupled rimless Doc M pan
- 1 x Close coupled cistern
- 1 x Close coupled cistern fittings and Doc M spatula lever
- 1 x Ring only toilet seat
- 1 x Two tap hole basin
- 1 x Sequential basin mixer tap
- 1 x Tap hole stopper
- 1 x Basin waste
- 1 x TMV3 Valve (F22-CCTX-SSC-\*\* only)

## Dimensions (mm)



## Disclaimer

NYMAS Group makes every effort to ensure that the information provided on this data sheet is correct. However, we cannot guarantee this, and accept no liability for any information or advice given on this data sheet.

## Close coupled rimless Doc M pan



### Product details

<b>Warranty:</b>	Lifetime
<b>Maximum load:</b>	400 kg
<b>Doc M compliant:</b>	Yes
<b>Suitable for wet areas:</b>	Yes

### Features

- Extended projection to comply with Part M of the Building Regulations
- Rimless design for ease of cleaning
- Comfort height to allow easier side transfer from wheelchair
- UKCA & CE compliant
- Ceramic body

### Finish options

**WH**

White  
RAL 9016

### Product description

Close coupled rimless Doc M pan

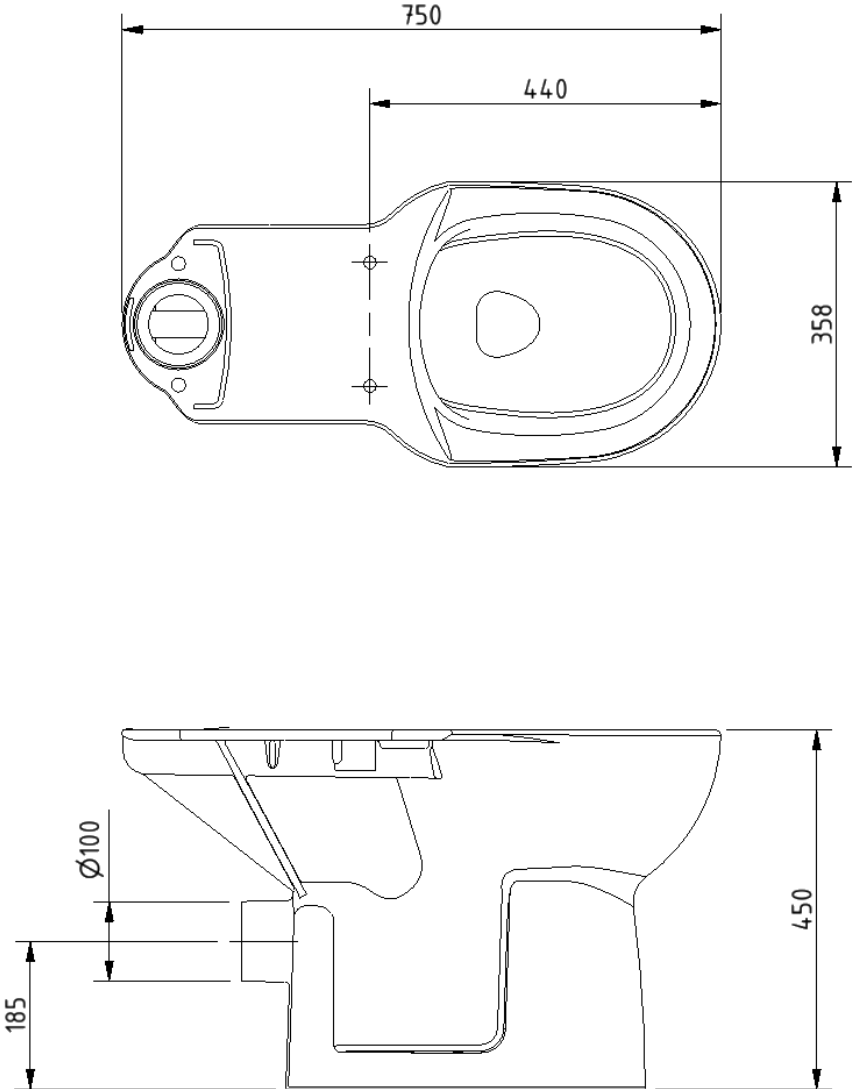
### Product code

NY01-PANCC02-WH

### Disclaimer

NYMAS Group makes every effort to ensure that the information provided on this data sheet is correct. However, we cannot guarantee this, and accept no liability for any information or advice given on this data sheet.

**Dimensions (mm)**



## Close coupled minimal cistern tank



### Product details

<b>Warranty:</b>	Lifetime
<b>Max rated load:</b>	n/a
<b>Doc M compliant:</b>	Yes
<b>Suitable for wet areas:</b>	Yes

### Features

- Modern minimal design
- Complies with Part M of the Building Regulations
- UKCA & CE compliant
- Suitable for front lever
- Bottom inlet
- Universal - either left or right handed
- Lockable lid option

### Finish options

**WH**

White  
RAL 9016

### Product description

Minimal close coupled cistern, white

Minimal close coupled cistern with lockable lid, white

### Product code

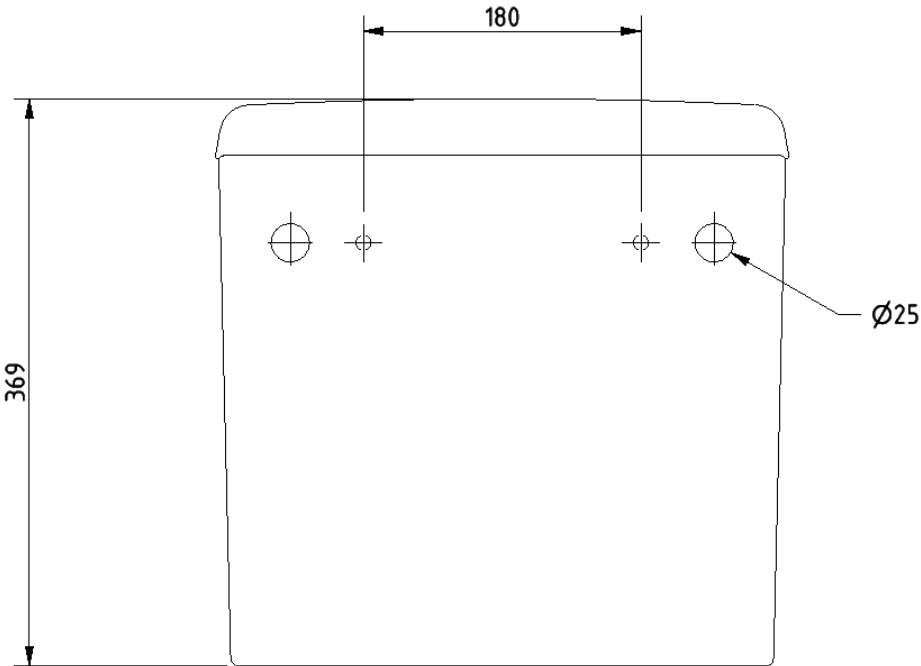
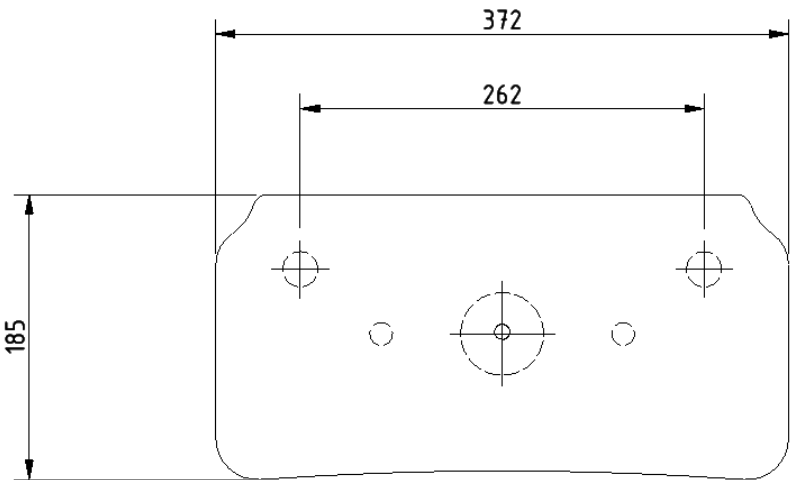
BWCISTCC-SAN

BWCISTCC/LC-SAN

### Disclaimer

NYMAS Group makes every effort to ensure that the information provided on this data sheet is correct. However, we cannot guarantee this, and accept no liability for any information or advice given on this data sheet.

**Dimensions (mm)**



## Cistern fitting pack for close coupled rimless pan



### Product details

<b>Warranty:</b>	2 years
<b>Max rated load:</b>	n/a
<b>Doc M compliant:</b>	Yes
<b>Suitable for wet areas:</b>	Yes

### Features

- Inlet valve and syphon Reg 4 Certified (WRAS, NSF, Kiwa, etc.)
- Can provide both full and half flush
- Doc M spatula lever to provide easy operation for users with limited dexterity
- 6 litre flush

### Product description

Cistern fitting pack for close coupled rimless pan, includes lever and basin waste

### Product code

SANCCPK-4

### Pack contents

- 1 x Inlet valve
- 1 x Syphon
- 1 x Doc M spatula lever
- 2 x Cistern blanking plugs
- 1 x Close coupled fixing bolts
- 1 x Tap hole stopper
- 1 x Basin waste

### Disclaimer

NYMAS Group makes every effort to ensure that the information provided on this data sheet is correct. However, we cannot guarantee this, and accept no liability for any information or advice given on this data sheet.

## Ring only toilet seat



### Product details

<b>Warranty:</b>	2 years
<b>Maximum load:</b>	n/a
<b>Doc M compliant:</b>	Yes
<b>Suitable for wet areas:</b>	Yes

### Features

- Complies with Part M of the Building Regulations
- Anti-bacterial, strong and durable seat
- Ergonomic and comfortable shape
- Dedicated moulded buffers for best stability
- Strong stainless steel hinge
- Fits pan NY01-PANCC02-WH (Only compatible with this pan)

### Finish options



**DB**  
Dark blue  
RAL 5011



**DG**  
Dark grey  
RAL 7016



**GY**  
Grey  
RAL 7005



**WH**  
White  
RAL 9016

### Product description

- Toilet seat, ring only, stainless steel hinge, dark blue (RAL 5011)
- Toilet seat, ring only, stainless steel hinge, dark grey (RAL 7016)
- Toilet seat, ring only, stainless steel hinge, grey (RAL 7005)
- Toilet seat, ring only, stainless steel hinge, white (RAL 9016)

### Product code

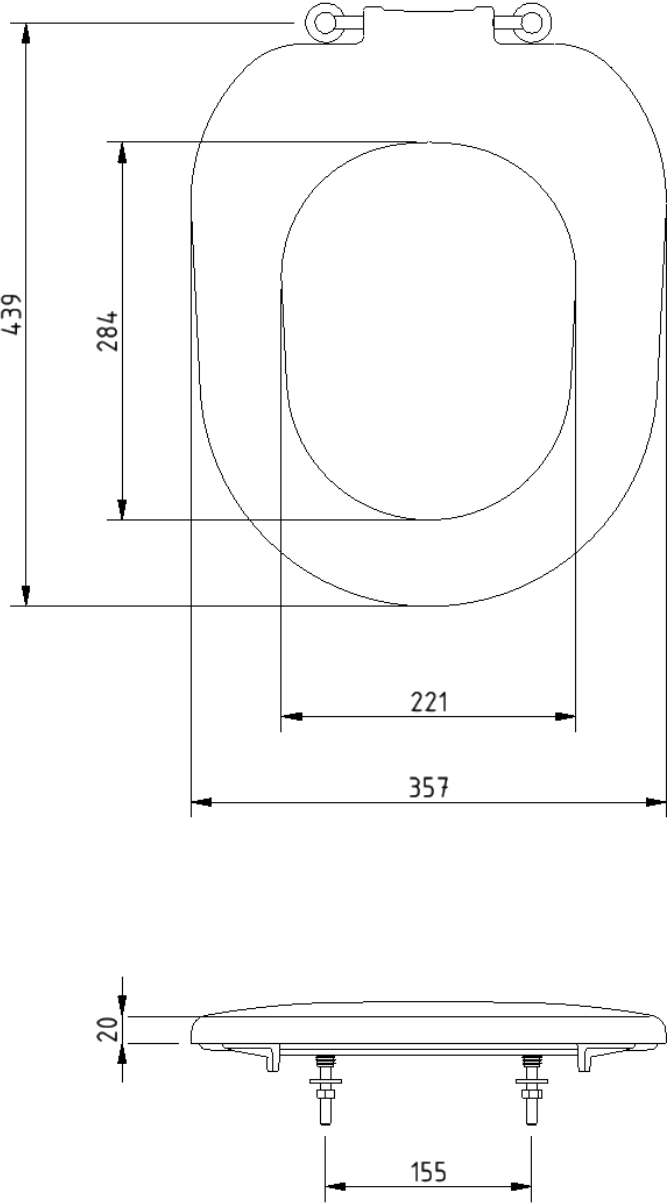
- NY01-SEAT03-DB
- NY01-SEAT03-DG
- NY01-SEAT03-GY
- NY01-SEAT03-WH

### Disclaimer

NYMAS Group makes every effort to ensure that the information provided on this data sheet is correct. However, we cannot guarantee this, and accept no liability for any information or advice given on this data sheet.



**Dimensions (mm)**



## Compact Doc M basin



### Product details

<b>Warranty:</b>	Lifetime
<b>Max rated load:</b>	n/a
<b>Doc M compliant:</b>	Yes
<b>Suitable for wet areas:</b>	Yes

### Features

- Two tap holes for left or right handed configuration
- Compact design to maximise space for a wheelchair user
- Complies with Part M of the Building Regulations
- No overflow

Does not come with wall fixings (P-000248-X00X)

### Finish options

**WH**

White  
RAL 9016

### Product description

Compact Doc M basin, two tap holes, no overflow, white

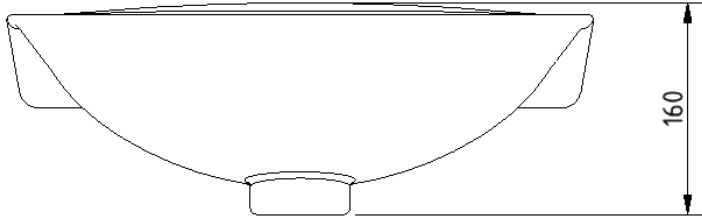
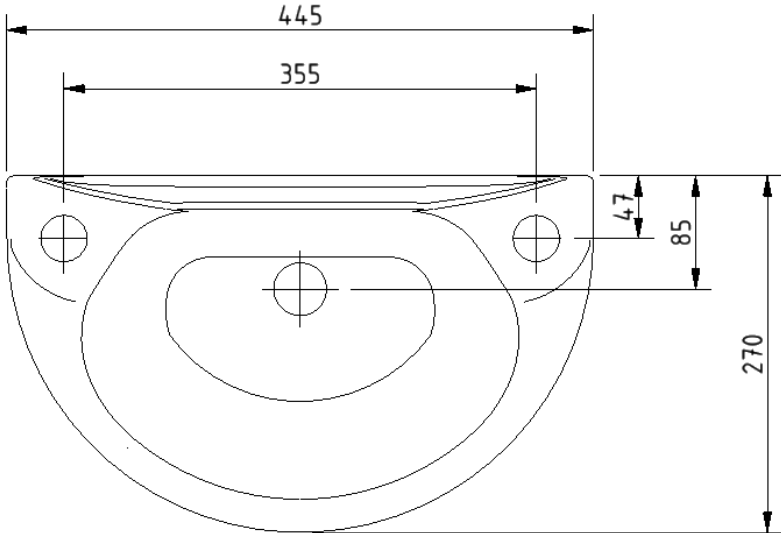
### Product code

NY01-SW-00120-WH

### Disclaimer

NYMAS Group makes every effort to ensure that the information provided on this data sheet is correct. However, we cannot guarantee this, and accept no liability for any information or advice given on this data sheet.

**Dimensions (mm)**



## Polished chrome sequential basin mixer tap



### Product details

<b>Warranty:</b>	2 years
<b>Max rated load:</b>	n/a
<b>Doc M compliant:</b>	Yes
<b>Suitable for wet areas:</b>	Yes
<b>Flexi tap tail connection (to tap body):</b>	M10 Thread
<b>Flexi tap tail (onward connection):</b>	3/4 Inch Diameter Thread

### Features

- Reg 4 Certified (WRAS, NSF, Kiwa, etc.)
- Easy operation for users with limited dexterity
- Cold start

### Finish options



Polished chrome

### Product description

Sequential basin mixer tap, polished chrome

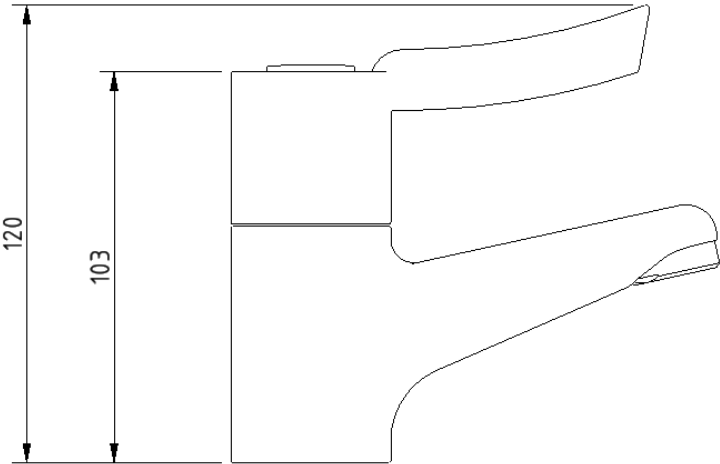
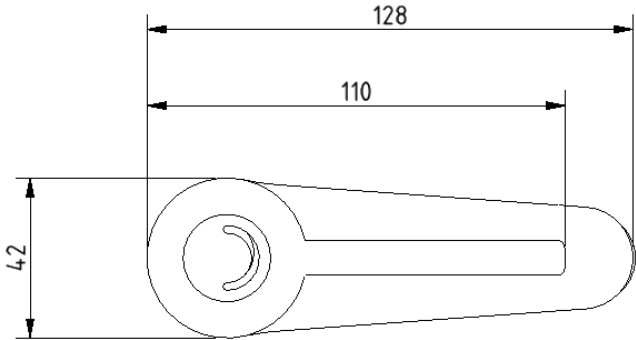
### Product code

BPLMON

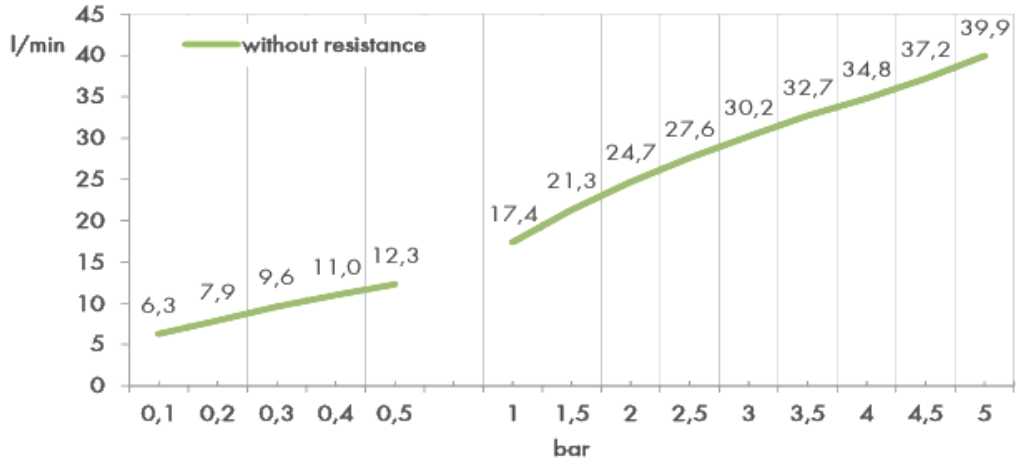
### Disclaimer

NYMAS Group makes every effort to ensure that the information provided on this data sheet is correct. However, we cannot guarantee this, and accept no liability for any information or advice given on this data sheet.

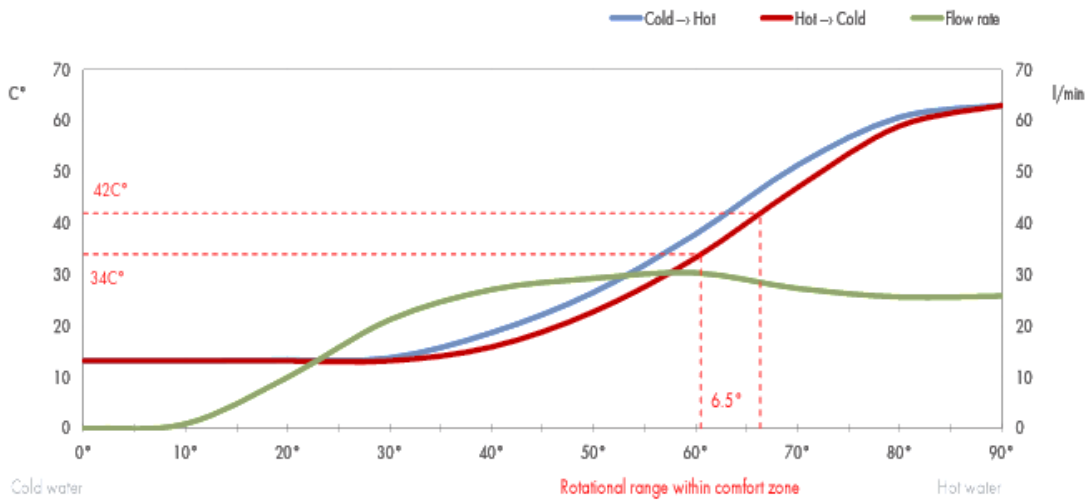
**Dimensions (mm)**



## FLOW RATE CURVE



## FLOW RATE & HYSTERESIS CURVES



## Luxury straight stainless steel grab rail with concealed fixings



### Product details

<b>Warranty:</b>	5 years
<b>Max rated load:</b>	200 kg
<b>Doc M compliant:</b>	Yes
<b>Suitable for wet areas:</b>	Yes

### Features

- High quality stainless steel construction
- Concealed fixings
- Stylish T-bar design
- Complies with Part M of the Building Regulations

### Finish options



Satin  
Stainless Steel



Polished  
Stainless Steel



Matt black  
RAL 9005

### Product description

Luxury grab rail, straight, stainless steel, concealed fixings, 355mm
Luxury grab rail, straight, stainless steel, concealed fixings, 480mm
Luxury grab rail, straight, stainless steel, concealed fixings, 620mm
Luxury grab rail, straight, stainless steel, concealed fixings, 900mm

### Product code

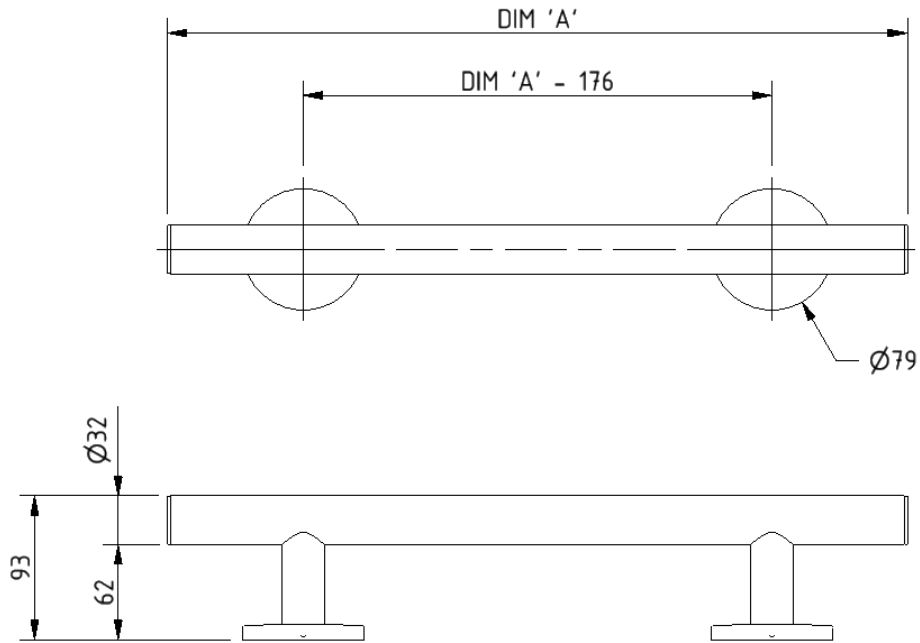
311435/**
311448/**
311462/**
311490/**

Replace \*\* with finish option code above e.g., 311435/SP

### Disclaimer

NYMAS Group makes every effort to ensure that the information provided on this data sheet is correct. However, we cannot guarantee this, and accept no liability for any information or advice given on this data sheet.

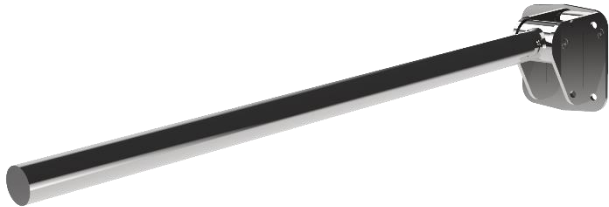
## Dimensions (mm)



PRODUCT CODE	311435/**	311448/**	311462/**	311490/**
DIM 'A'	355	480	620	900



## Contemporary single arm stainless steel friction hinged rail with exposed fixings



### Product details

Warranty: 5 years

Max rated load: 90 kg

Doc M compliant: Yes

Suitable for wet areas: Yes

### Features

- Contemporary single arm design
- Premium friction folding mechanism
- High quality stainless steel construction
- Complies with Part M of the Building Regulations

### Finish options



Satin  
Stainless Steel



Polished  
Stainless Steel



Matt black  
RAL 9005

### Product description

Contemporary single arm friction rail, stainless steel, exposed fixings

### Product code

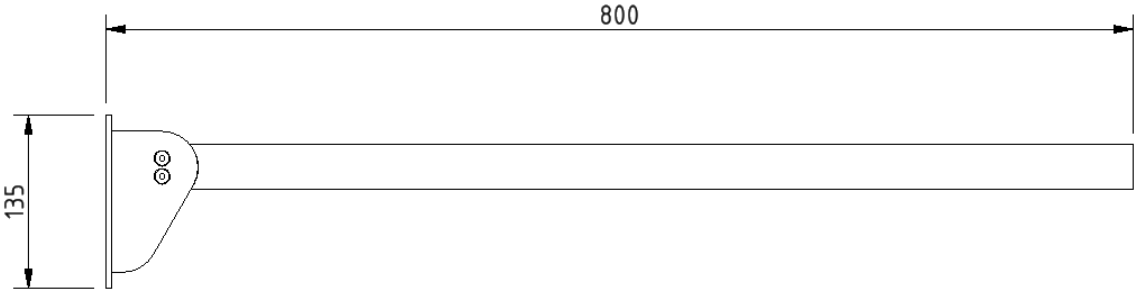
310480/\*\*

Replace \*\* with finish option code above e.g., 310480/SP

### Disclaimer

NYMAS Group makes every effort to ensure that the information provided on this data sheet is correct. However, we cannot guarantee this, and accept no liability for any information or advice given on this data sheet.

Dimensions (mm)



## TMV3 inline thermostatic mixing valve



### Product details

<b>Warranty:</b>	2 years
<b>Max rated load:</b>	n/a
<b>Doc M compliant:</b>	Yes
<b>Suitable for wet areas:</b>	Yes

### Features

- TMV3 approved & Reg 4 Certified (WRAS, NSF, Kiwa, etc.)
- Complies with Part M of the Building Regulations
- Building Regulations Part G compliant
- Highly resistant to scaling
- Anti-tamper proof head

### Finish options



Polished  
chrome

### Product description

TMV3 inline thermostatic mixing valve - 15mm

### Product code

BPLTMV

### Disclaimer

NYMAS Group makes every effort to ensure that the information provided on this data sheet is correct. However, we cannot guarantee this, and accept no liability for any information or advice given on this data sheet.

**Dimensions (mm)**

